

Right-angle Mains Plug to IEC-C7 Connector

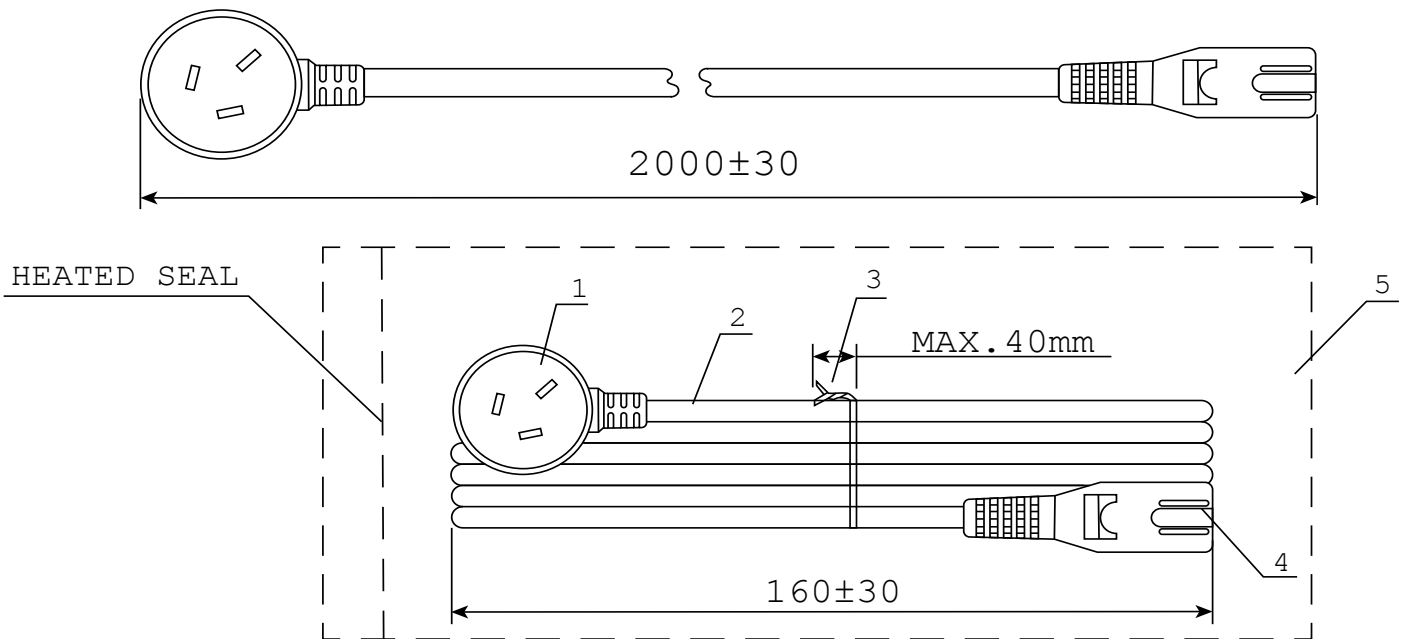
K3762-009



FEATURES

- 2-core light duty power cord as used on some small appliances.
- Fitted with IEC-C7 (figure-8) connector and Australian 2-pin mains plug with insulated pins compliant with AS/NZS3112.
- Electrical Safety Authority Approved.

DESIGN & CONSTRUCTION



To view Access' extensive ranges go to: www.accesscomms.com.au

Sydney (Head Office)
Brisbane Sales
Melbourne Office
Adelaide Office

Unit 1, 29 Prince William Drive, Seven Hills NSW 2147
28 The Gateway, Broadmeadows VIC 3047
71 Anzac Highway, Ashford SA 5035

Phone: (02) 9414 8888
Phone: (07) 3308 5555
Phone: (03) 9330 8333
Phone: (08) 8338 5540

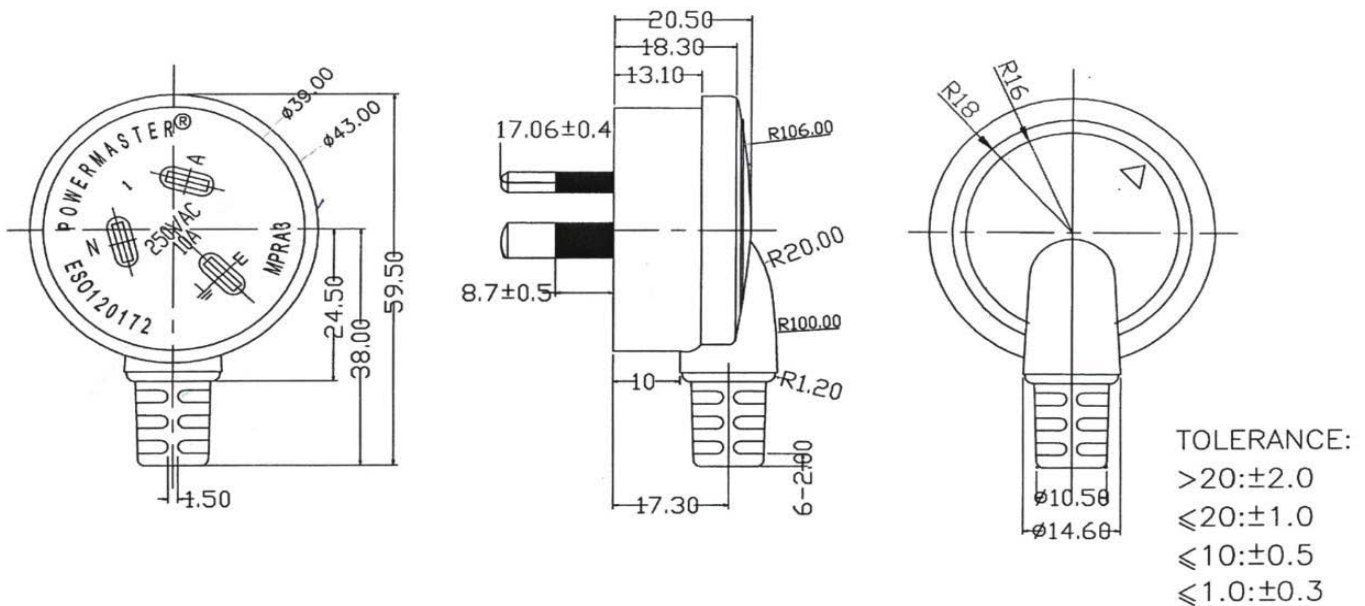
sales@accesscomms.com.au
brisbane@accesscomms.com.au
melbourne@accesscomms.com.au
adelaide@accesscomms.com.au

Right-angle Mains Plug to IEC-C7 Connector

K3762-009

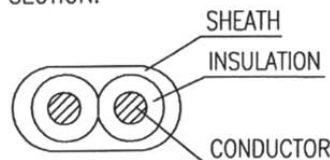
1	PVC Moulded Plug	
2	Flexible Cord	2 x 0.75mm ² (Black)
3	Vinyl tie (Black)	Tied twice with PVC vinyl tie
		Vinyl-tie loose end section must not exceed 40mm
4	PVC Moulded Connector	IEC-C7 (Black)
5	PE Bag	220mm x 130mm (0.05mm thick)
NOTE: ALL MATERIALS ARE RoHS COMPLIANT		

RIGHT-ANGLE MAINS PLUG



CORD SECTION

CORD SECTION:



CORD MARKING:

POWERMASTER[®] LD-2F 2X0.75mm² 4V-75 V-75 75°C

LIGHT DUTY 250/250V NSW18155 AS/NZS3191 Cn

To view Access' extensive ranges go to: www.accesscomms.com.au

Sydney (Head Office)
 Brisbane Sales
 Melbourne Office
 Adelaide Office

Unit 1, 29 Prince William Drive, Seven Hills NSW 2147
 28 The Gateway, Broadmeadows VIC 3047
 71 Anzac Highway, Ashford SA 5035

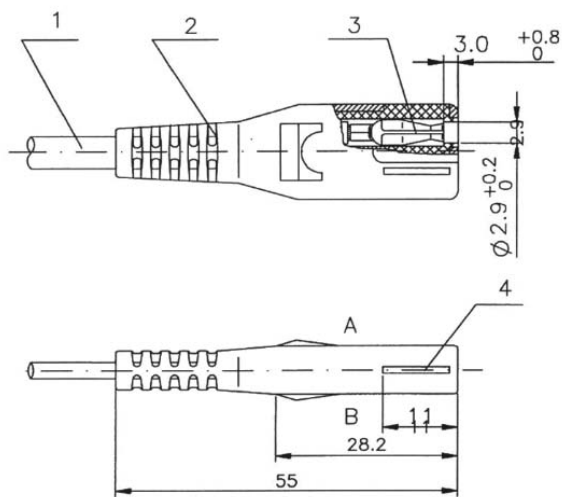
Phone: (02) 9414 8888
 Phone: (07) 3308 5555
 Phone: (03) 9330 8333
 Phone: (08) 8338 5540

sales@accesscomms.com.au
 brisbane@accesscomms.com.au
 melbourne@accesscomms.com.au
 adelaide@accesscomms.com.au

Right-angle Mains Plug to IEC-C7 Connector

K3762-009

IEC-C7 CONNECTOR

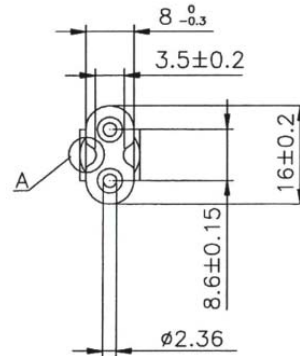


SIDE A:

N18158
POWERMASTER
2.5A 250V~

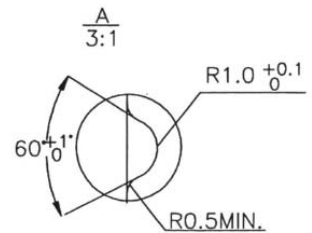
SIDE B:

AC-C7



TOLERANCE:

- >20:±2.0
- <20:±1.0
- <10:±0.5
- <1.0:±0.3



1. PVC FLEXIBLE CORD.
2. PVC CONNECTOR BODY
3. TERMINAL: $\varnothing 2.36$ PHOSPHOR BRONZE TUBE
4. INSERT OF CONNECTOR