

## IEC-C13 Power Cord with Right Angle Plug

K3755

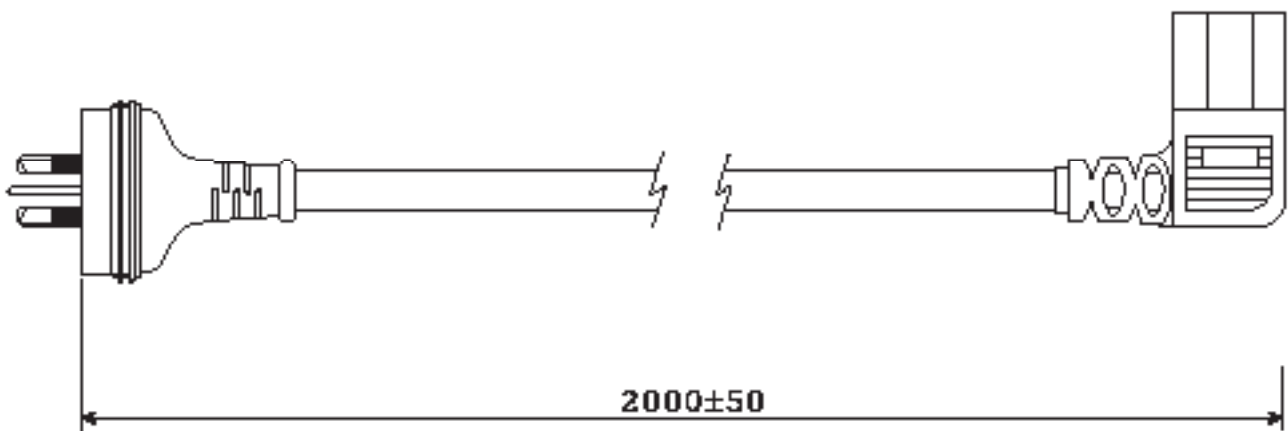


### FEATURES

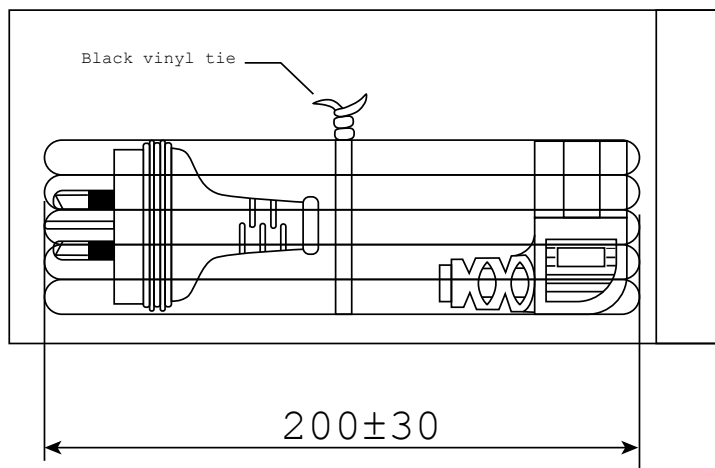
As used on most computers and office equipment. Fitted with IEC-C13 connector and Australian 3-pin mains plug with insulated pins compliant with AS/NZS3112.

Electrical Safety Authority Approved.

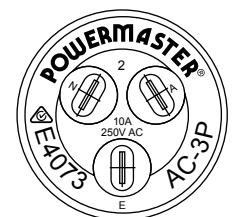
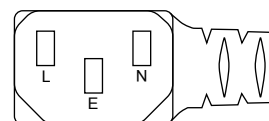
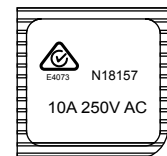
### DESIGN & CONSTRUCTION



ZIP LOCK BAG



**POWERMASTER**  
AC-C13R



To view Access' extensive ranges go to: [www.accesscomms.com.au](http://www.accesscomms.com.au)

Sydney (Head Office)  
Brisbane Sales  
Melbourne Office  
Adelaide Office

Unit 1, 29 Prince William Drive, Seven Hills NSW 2147  
28 The Gateway, Broadmeadows VIC 3047  
71 Anzac Highway, Ashford SA 5035

Phone: (02) 9414 8888  
Phone: (07) 3308 5555  
Phone: (03) 9330 8333  
Phone: (08) 8338 5540

[sales@accesscomms.com.au](mailto:sales@accesscomms.com.au)  
[brisbane@accesscomms.com.au](mailto:brisbane@accesscomms.com.au)  
[melbourne@accesscomms.com.au](mailto:melbourne@accesscomms.com.au)  
[adelaide@accesscomms.com.au](mailto:adelaide@accesscomms.com.au)

## IEC-C13 Power Cord with Right Angle Plug

K3755


### MAINS PLUG

Type	3-Pin Australian Mains Plug
Standard	AS/NZS 3112:2004
Safety Certificate	ESO170089
Colour	Black

### CONNECTOR

Type	IEC-C13
Standard	AS/NZS60320.2.2.2004
Safety Certificate	N18157
Colour	Black

### FLEX JACKET

Type	HOSVV-F
Standard	AS/NZS3191.2003
Safety Certificate	N18155
Marking	Powermaster® HOSVV-F 3x0.75mm <sup>2</sup> GD-3 N18155 AS/NZS3191 
Diameter	5.80mm
Material	PVC (Black)

