

## IEC-C13 Power Cord

K3748ORA, K3750ORA, K3751ORA  
 K3754ORA, K3756ORA, K3757ORA  
 K3758ORA

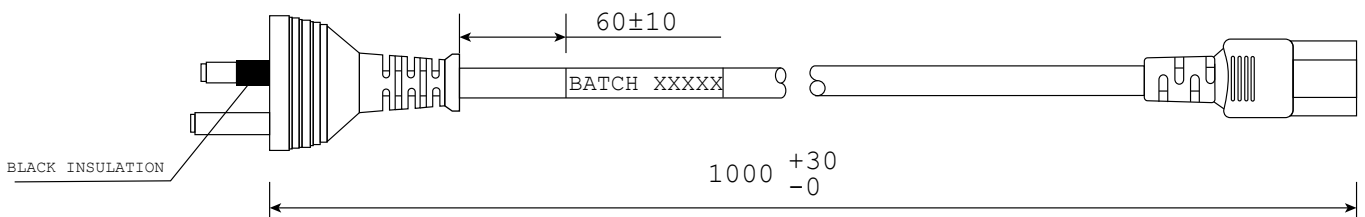


### FEATURES

A 3-core general duty power cord fitted with IEC-C13 connector and Australian 3-pin mains plug with insulated pins compliant with AS/NZS3112. Orange coloured flex and transparent mains plug & IEC connector as required for medical equipment applications. Also see our K3755ORA medical equipment cord with a left-hand right-angle socket. Electrical Safety Authority Approved.

SKU	CORD	LENGTH	COLOUR
K3748ORA	IEC - C13	1.0 Metre	Orange & Transparent
K3750ORA	IEC - C13	2.0 Metre	Orange & Transparent
K3751ORA	IEC - C13	6.0 Metre	Orange & Transparent
K3754ORA	IEC - C13	4.0 Metre	Orange & Transparent
K3756ORA	IEC - C13	1.5 Metre	Orange & Transparent
K3757ORA	IEC - C13	5.0 Metre	Orange & Transparent
K3758ORA	IEC - C13	3.0 Metre	Orange & Transparent

### DESIGN & CONSTRUCTION



To view Access' extensive ranges go to: [www.accesscomms.com.au](http://www.accesscomms.com.au)

Sydney (Head Office)  
 Brisbane Sales  
 Melbourne Office  
 Adelaide Office

Unit 1, 29 Prince William Drive, Seven Hills NSW 2147  
 28 The Gateway, Broadmeadows VIC 3047  
 71 Anzac Highway, Ashford SA 5035

Phone: (02) 9414 8888  
 Phone: (07) 3308 5555  
 Phone: (03) 9330 8333  
 Phone: (08) 8338 5540


sales@accesscomms.com.au  
 brisbane@accesscomms.com.au  
 melbourne@accesscomms.com.au  
 adelaide@accesscomms.com.au

## IEC-C13 Power Cord

K37480RA, K37500RA, K37510RA  
 K37540RA, K37560RA, K37570RA  
 K37580RA

MAINS PLUG	
Type	3-PIN Australian mains plug
Standard	AS/NZS3112.2011
Safety Certificate	ESO170089
Colour	Transparent

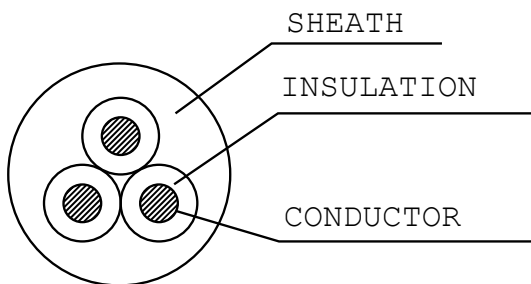
CONNECTOR	
Type	IEC-C13
Standard	AS/NZS60320.2.2.2004
Safety Certificate	N18157
Colour	Transparent

FLEX JACKET	
Type	GD-3
Standard	AS/NZS3191.2003
Safety Certificate	N18155
Marking	Powermaster® GD-3 3 x 0.75mm <sup>2</sup> 75°C E4073 AS/NZS3191 Cn 
Diameter	6.60mm
Material	PVC (Orange)

FLEX CONDUCTORS	
Conductors	3x0.75mm <sup>2</sup>
Sheath	PVC Brown (A), Blue (N), Yellow/Green (E)

EARTH RESISTANCE	
Earth Resistance	Less than 200 mΩ
Earth Leakage Current	Less than 500 μA

### CORD SECTION



To view Access' extensive ranges go to: [www.accesscomms.com.au](http://www.accesscomms.com.au)

Sydney (Head Office)  
 Brisbane Sales  
 Melbourne Office  
 Adelaide Office

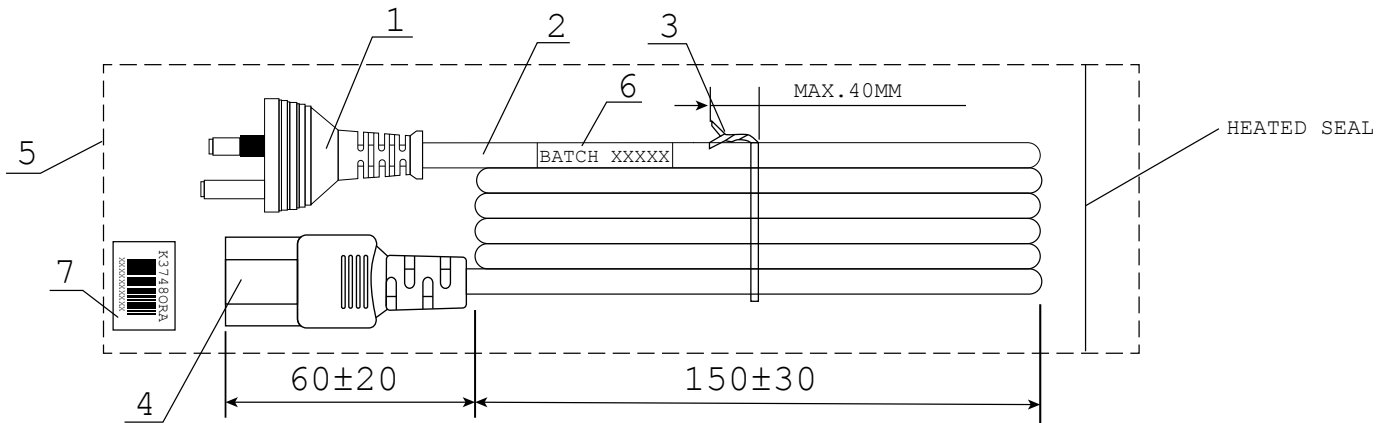
Unit 1, 29 Prince William Drive, Seven Hills NSW 2147  
 28 The Gateway, Broadmeadows VIC 3047  
 71 Anzac Highway, Ashford SA 5035

Phone: (02) 9414 8888  
 Phone: (07) 3308 5555  
 Phone: (03) 9330 8333  
 Phone: (08) 8338 5540

sales@accesscomms.com.au  
 brisbane@accesscomms.com.au  
 melbourne@accesscomms.com.au  
 adelaide@accesscomms.com.au

## IEC-C13 Power Cord

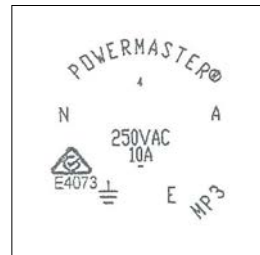
K37480RA, K37500RA, K37510RA  
K37540RA, K37560RA, K37570RA  
K37580RA



### FLEX JACKET

### PLUG MARK

1	PVC Moulded Plug	PHP-304 (TRANSPARENT & ORANGE) *POWERMASTER* MP3
2	PVC Flexible Cord	GD-3 3G0.75mm <sup>2</sup> ORANGE
3	Elliptic Tie (Black)	a) Tied twice with PVC elliptic-tie b) Elliptic-tie loose end section must not exceed 40mm
4	PVC Moulded Connector	PHS - 301 (TRANSPARENT) *POWERMASTER* C13
5	PE Sack	300 X 130 X T0.05
6	1 # Label	40*25mm
7	2 # Label	L28 x 20



To view Access' extensive ranges go to: [www.accesscomms.com.au](http://www.accesscomms.com.au)

Sydney (Head Office)  
Brisbane Sales  
Melbourne Office  
Adelaide Office

Unit 1, 29 Prince William Drive, Seven Hills NSW 2147  
28 The Gateway, Broadmeadows VIC 3047  
71 Anzac Highway, Ashford SA 5035

Phone: (02) 9414 8888  
Phone: (07) 3308 5555  
Phone: (03) 9330 8333  
Phone: (08) 8338 5540

sales@accesscomms.com.au  
brisbane@accesscomms.com.au  
melbourne@accesscomms.com.au  
adelaide@accesscomms.com.au

## IEC-C13 Power Cord

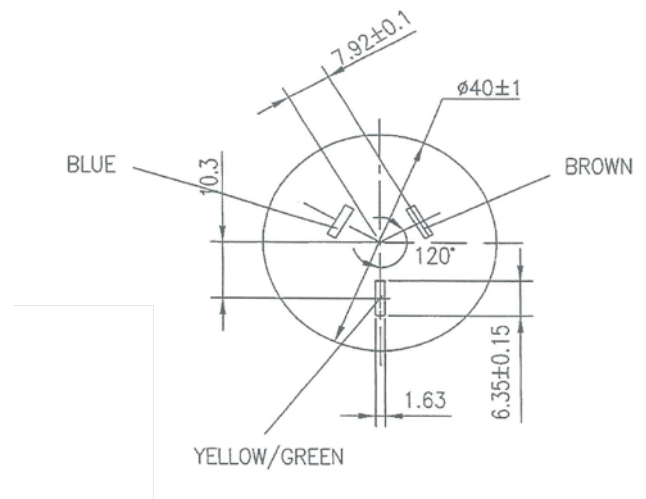
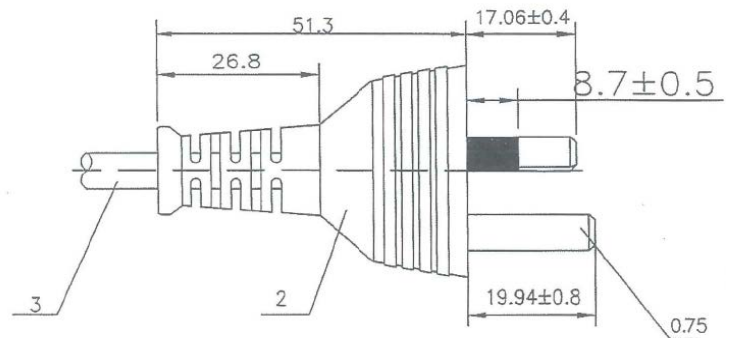
K37480RA, K37500RA, K37510RA  
 K37540RA, K37560RA, K37570RA  
 K37580RA

### PLUG SPECIFICATIONS

1	PIN	Nickel Plating
2	PVC Molded Plug	PHP-304
3	Flexible Cord	PVC

### PLUG TOLERANCE

> 20 : ± 2.0
≤ 20 : ± 1.0
≤ 10 : ± 0.5
≤ 1.0 : ± 0.3



## IEC-C13 Power Cord

K37480RA, K37500RA, K37510RA  
 K37540RA, K37560RA, K37570RA  
 K37580RA

### PLUG SPECIFICATIONS

1	CONNECTOR BODY	PVC
2	PVC FLEXIBLE	PVC

### PLUG TOLERANCE

> 20	± 2.0
≤ 20	± 1.0
≤ 10	± 0.5
≤ 1.0	± 0.3

