

IEC-C5 USA AC-Cord 2m Black

K3745USA

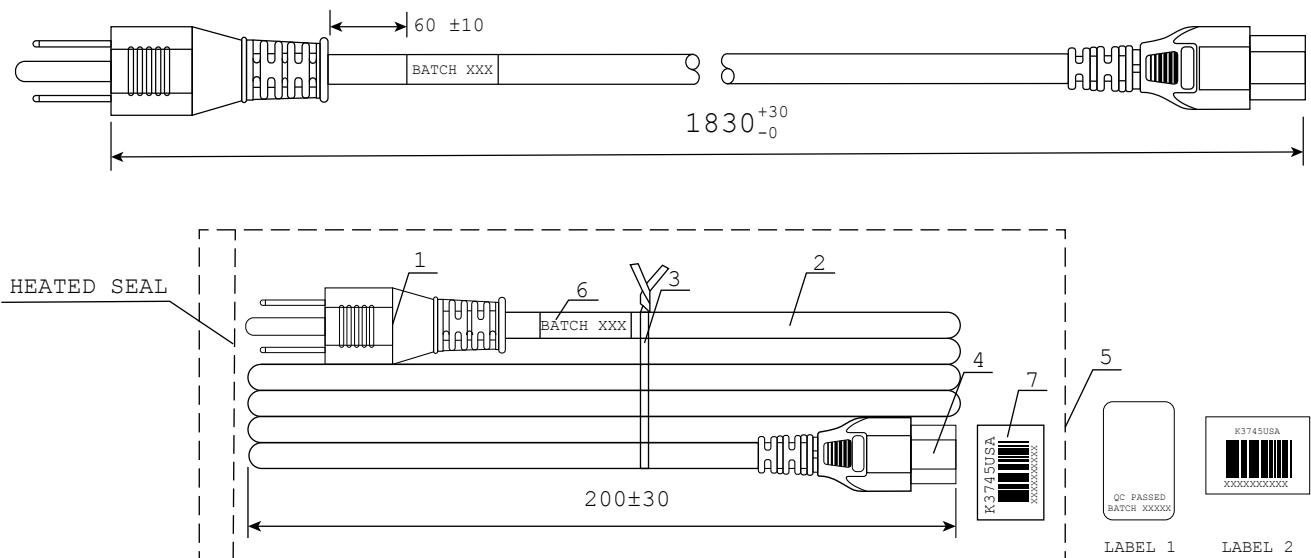


FEATURES

For 110V use. AC power cord as used on some compact Switch Mode Power Supplies (laptop computers) and small appliances.

Fitted with IEC-C5 connector and 110V USA 3-pin mains plug.

DESIGN & CONSTRUCTION



1	PVC Moulded plug : PHP-301B (Black)
2	Elliptic tie (Black)
3	PVC Flexible cord: SVT 18AWGX3C 105°C (BLACK)
4	PVC Moulded connector : PHS-305
5	PE Sack : 205 x 130 x TO.05
6	1# Label; 40 x 25mm
7	2# Label; L28 x 20mm (Supplied by customer)
NOTE: All materials are RoHS 2.0 compliant	

To view Access' extensive ranges go to: www.accesscomms.com.au

Sydney (Head Office)
Brisbane Sales
Melbourne Office
Adelaide Office

Unit 1, 29 Prince William Drive, Seven Hills NSW 2147
28 The Gateway, Broadmeadows VIC 3047
71 Anzac Highway, Ashford SA 5035

Phone: (02) 9414 8888
Phone: (07) 3308 5555
Phone: (03) 9330 8333
Phone: (08) 8338 5540

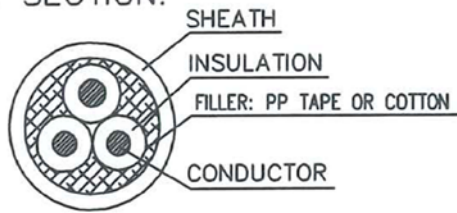
sales@accesscomms.com.au
brisbane@accesscomms.com.au
melbourne@accesscomms.com.au
adelaide@accesscomms.com.au

IEC-C5 USA AC-Cord 2m Black

K3745USA

CORD SECTION & MARKING

CORD SECTION:



300V

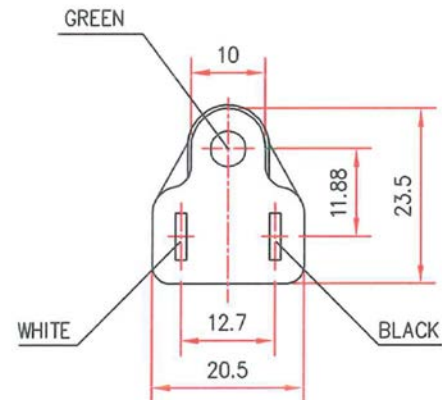
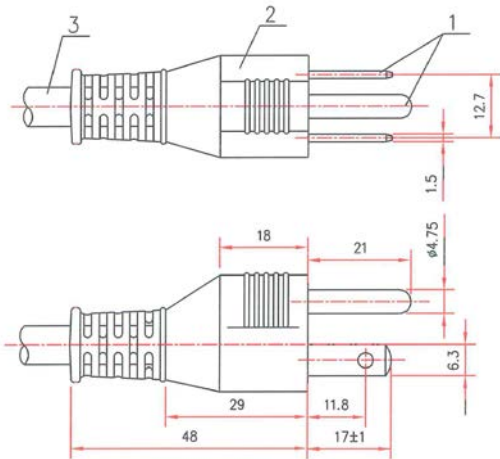
Cn

-LF-

ROLL NO.: 1,2,3...
CHINA FACTORY

- | | |
|---|---|
| 1 | (UL) E209524 SVT VW-1 105°C 3 x 0.824mm ² (18AWG) 300V |
| 2 | - PHINO - CSA 180414 SVT FT1 105°C 3 x 0.824mm ² (18AWG) |

PLUG & FEATURES



TOLERANCE

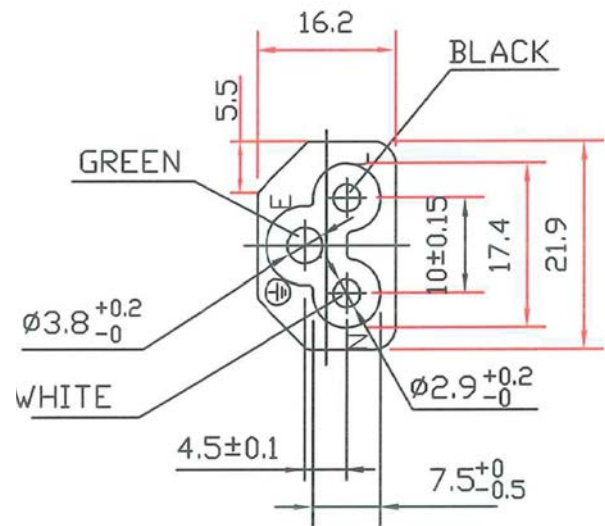
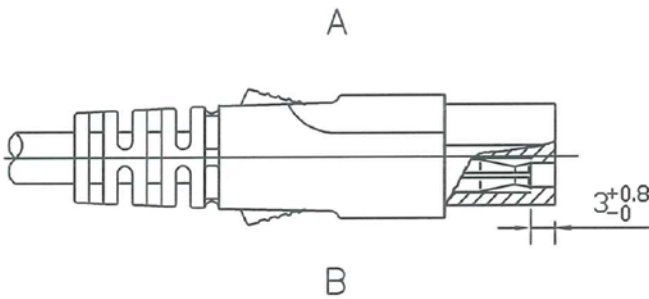
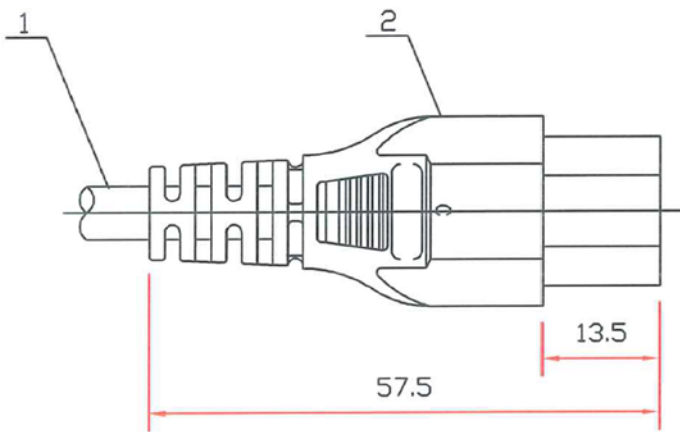
- > 20 : ± 2.0
- ≤ 20 : ± 1.0
- ≤ 10 : ± 0.5
- ≤ 1.0 : ± 0.3

- | | |
|---|------------------------------|
| 1 | PIN (BRASS NI-PLATED) |
| 2 | PVC MOLDED PLUG : PHP - 301B |
| 3 | FLEXIBLE CORD |

IEC-C5 USA AC-Cord 2m Black

K3745USA

CONNECTOR & FEATURES



TOLERANCE

> 20 : ± 2.0

≤ 20 : ± 1.0

≤ 10 : ± 0.5

≤ 1.0 : ± 0.3

- 1 PVC FLEXIBLE CORD
- 2 PVC CONNECTOR BODY