

## IEC-C19 Power Cord

K3744-115, K3744-015

K3744-315, K3744-515

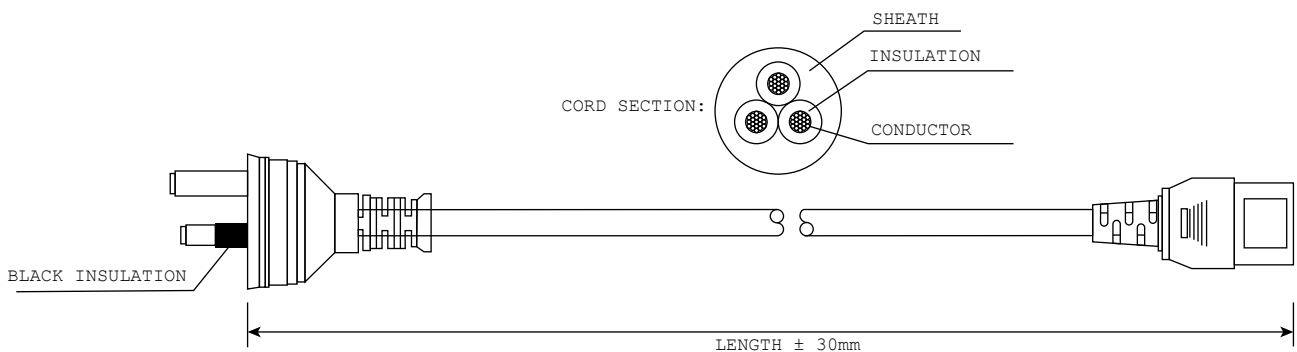


### FEATURES

As used on rack mounted power boards. Fitted with a female IEC-C19 connector 15 Amp 3-pin mains plug with insulated pins compliant with AS/NZS3112. Electrical Safety Authority Approved.

CAT#	COLOUR	LENGTH	MAINS PLUG
K3744-115	Black	1.0 Metre	15 Amp
K3744-015	Black	2.0 Metre	15 Amp
K3744-315	Blue	3.0 Metre	15 Amp
K3744-515	Black	5.0 Metre	15 Amp

### DESIGN & CONSTRUCTION



To view Access' extensive ranges go to: [www.accesscomms.com.au](http://www.accesscomms.com.au)

Sydney (Head Office)  
Brisbane Sales  
Melbourne Office  
Adelaide Office

Unit 1, 29 Prince William Drive, Seven Hills NSW 2147  
28 The Gateway, Broadmeadows VIC 3047  
71 Anzac Highway, Ashford SA 5035

Phone: (02) 9414 8888  
Phone: (07) 3308 5555  
Phone: (03) 9330 8333  
Phone: (08) 8338 5540

[sales@accesscomms.com.au](mailto:sales@accesscomms.com.au)  
[brisbane@accesscomms.com.au](mailto:brisbane@accesscomms.com.au)  
[melbourne@accesscomms.com.au](mailto:melbourne@accesscomms.com.au)  
[adelaide@accesscomms.com.au](mailto:adelaide@accesscomms.com.au)

## IEC-C19 Power Cord

K3744-115, K3744-015

K3744-315, K3744-515

### MAINS PLUG

Type	3-pin Australian mains plug
Standard	16A 250V
Colour	Black moulded PVC

### CONDUCTORS

Rating	250/440V
Conductors*	3 x 1.5mm <sup>2</sup>

### JACKET

Type	GD-3
Standard	AS/NZS3191
Dimension	6.6 ± 0.2
Material	PVC Black

### CONNECTOR

Type	IEC-c19
Standard	AS/NZS60320.1:2012
Colour	PVC Black