

## IEC-C15 Appliance Cord

### K3741 Series



## FLEXIBLE CORD

### 1.1 CONSTRUCTION AND DIMENSIONS

<b>Conductor</b>	Annealed copper wire.
<b>Insulation</b>	Rubber (Brown, Blue, Yellow/Green). Mean value of thickness: 0.60mm. Minimum value of thickness: 0.50mm
<b>Sheath</b>	Mean value of thickness: 0.90mm. Minimum value of thickness: 0.80mm

### 1.2 PHYSICAL CHARACTERISTICS OF INSULATION AND SHEATH

ITEM	UNITS	VALUES
Rated Voltage	V / V	250 / 440
Number of Conductors	No.	3
Conductor	Nominal Area	mm <sup>2</sup>
	Construction	No. / mm
	Outer Diameter	mm
Thickness of Insulation	mm	0.60
Thickness of Sheath	mm	0.90
Nominal Overall Diameter	mm	6.8 ± 0.2
Conductor Resistance at 20°C	Ω / KM	26.0 max
Test Voltage	V / Min	2000 / 15
Insulation Resistance at 70 °C	M Ω Km	0.010 min

To view Access' extensive ranges go to: [www.accesscomms.com.au](http://www.accesscomms.com.au)

**Sydney (Head Office)**

**Brisbane Office**

**Melbourne Office**

**Adelaide Office**

33-35 Alleyne Street, Chatswood, NSW, 2067

Unit 4, 7 Luke Street, Lytton, QLD, 4178

28 The Gateway, Broadmeadows, VIC, 3047

71 Anzac Highway, Ashford, SA, 5035

Phone: (02) 9414 8888

Phone: (07) 3308 5555

Phone: (03) 9330 8333

Phone: (08) 8338 5540

Fax: (02) 9414 8800

Fax: (07) 3308 5500

Fax: (03) 9330 8330

Mob: 0438 245 116

[websales@accesscomms.com.au](mailto:websales@accesscomms.com.au)

[brisbane@accesscomms.com.au](mailto:brisbane@accesscomms.com.au)

[melbourne@accesscomms.com.au](mailto:melbourne@accesscomms.com.au)

[adelaide@accesscomms.com.au](mailto:adelaide@accesscomms.com.au)

## IEC-C15 Appliance Cord K3741 Series



### 1.3 CHARACTERISTICS OF INSULATION AND SHEATH

ITEM			UNIT	VALUE
INSULATION	Original	Tensile Strength	N / mm	5
		Elongation	%	200
	After Aging 100 ± 2 °C for 168 hours	Tensile Strength Variation from Original Value	%	25
		Elongation variation from Original Value	%	25
SHEATH	Original	Tensile Strength	N / mm	7.0 min
		Elongation	%	250 min
	After Aging 100 ± 2 °C for 168 hours	Tensile Strength Variation from Original Value	%	30
		Elongation variation from Original Value	%	30

### 1.4 FLAME RESISTANCE

The sample shall be self extinguishing after all burning has ceased.

### 1.4 CORD FLEXIBILITY

There will be no cracks on the surface of cord sample which is wound six turns on a mandrel of 4~5xOD (OD: wire diameter) and subjected to a temperature of -15 ± 2°C for 4 hours.

To view Access' extensive ranges go to: [www.accesscomms.com.au](http://www.accesscomms.com.au)

**Sydney (Head Office)**  
**Brisbane Office**  
**Melbourne Office**  
**Adelaide Office**

33-35 Alleyne Street, Chatswood, NSW, 2067  
Unit 4, 7 Luke Street, Lytton, QLD, 4178  
28 The Gateway, Broadmeadows, VIC, 3047  
71 Anzac Highway, Ashford, SA, 5035

Phone: (02) 9414 8888  
Phone: (07) 3308 5555  
Phone: (03) 9330 8333  
Phone: (08) 8338 5540

Fax: (02) 9414 8800  
Fax: (07) 3308 5500  
Fax: (03) 9330 8330  
Mob: 0438 245 116

[websales@accesscomms.com.au](mailto:websales@accesscomms.com.au)  
[brisbane@accesscomms.com.au](mailto:brisbane@accesscomms.com.au)  
[melbourne@accesscomms.com.au](mailto:melbourne@accesscomms.com.au)  
[adelaide@accesscomms.com.au](mailto:adelaide@accesscomms.com.au)

## IEC-C15 Appliance Cord

### K3741 Series



## 2. PVC PLUG

### 2.1 APPEARANCE

The plug shall be in accordance with the IEC standard.

### 2.2 INSULATION RESISTANCE

Shall not be less than 5M $\Omega$  at 500V DC/ 1 Min.

### 2.3 DIELECTRIC STRENGTH

It shall withstand 2000V AC applied between the conductors for 1 minute without breakdown.

### 2.4 STRAIN RELIEF

Each blade shall be capable of withstanding a straight pull of 54N over a period of 60 seconds. The withdrawal force is applied without jerks on each pin in turn on the longitudinal axis of the pin, the pull being applied in a heating cabinet at a temperature of 70  $\pm$  20°C. One hour after the test the plug is allowed to cool down to ambient temperature and any pin shall be found not to have been displaced in the body of the plug by more than 1mm.

### 2.5 FLEXING TEST

The specimen shall not show any damage in appearance such as a break or exposure of the core wires after the following test has been completed. The oscillating member shall be moved through an angle of 90° (45° on either side of the vertical), the number of flexes being 1000 and the rate of flexing 60 per minute. A flexing is a movement in one direction. The cord shall be loaded with a weight of 10N, for a nominal area of 0.75mm<sup>2</sup>; 20N for a nominal area of 1.0mm<sup>2</sup>. For a circular-section cord, the oscillating member shall be turned through 90° after 5000 times.

### 2.6 HEAT DEFORMATION TEST

After being kept for 1 hour in a heating cabinet at a temperature of 70  $\pm$  20°C no damage to the sample is allowable.

To view Access' extensive ranges go to: [www.accesscomms.com.au](http://www.accesscomms.com.au)

**Sydney (Head Office)**

**Brisbane Office**

**Melbourne Office**

**Adelaide Office**

33-35 Alleyne Street, Chatswood, NSW, 2067

Unit 4, 7 Luke Street, Lytton, QLD, 4178

28 The Gateway, Broadmeadows, VIC, 3047

71 Anzac Highway, Ashford, SA, 5035

Phone: (02) 9414 8888

Phone: (07) 3308 5555

Phone: (03) 9330 8333

Phone: (08) 8338 5540

Fax: (02) 9414 8800

Fax: (07) 3308 5500

Fax: (03) 9330 8330

Mob: 0438 245 116

[websales@accesscomms.com.au](mailto:websales@accesscomms.com.au)

[brisbane@accesscomms.com.au](mailto:brisbane@accesscomms.com.au)

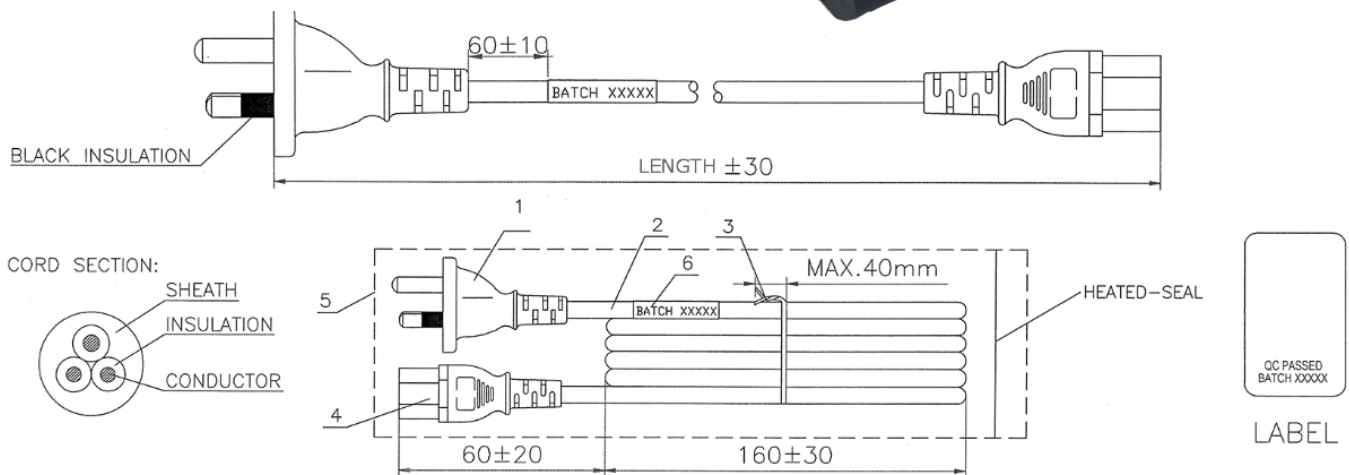
[melbourne@accesscomms.com.au](mailto:melbourne@accesscomms.com.au)

[adelaide@accesscomms.com.au](mailto:adelaide@accesscomms.com.au)

## IEC-C15 Appliance Cord K3741 Series



### 3. PRODUCT DRAWING



1	PVC molded plug (Black) *POWERMASTER* MP3S
2	Flexible cord H05RR-F 3G0.75mm <sup>2</sup> (Black)
3	Vinyl tie (Black) a. Tied twice with PVC vinyl tie b. Vinyl tie loose end section must not exceed 40mm
4	PVC moulded connector (Black) *POWERMASTER* AC-C15
5	PE bag
6	PE bag Label 40 x 25mm

To view Access' extensive ranges go to: [www.accesscomms.com.au](http://www.accesscomms.com.au)

**Sydney (Head Office)**  
**Brisbane Office**  
**Melbourne Office**  
**Adelaide Office**

33-35 Alleyne Street, Chatswood, NSW, 2067  
Unit 4, 7 Luke Street, Lytton, QLD, 4178  
28 The Gateway, Broadmeadows, VIC, 3047  
71 Anzac Highway, Ashford, SA, 5035

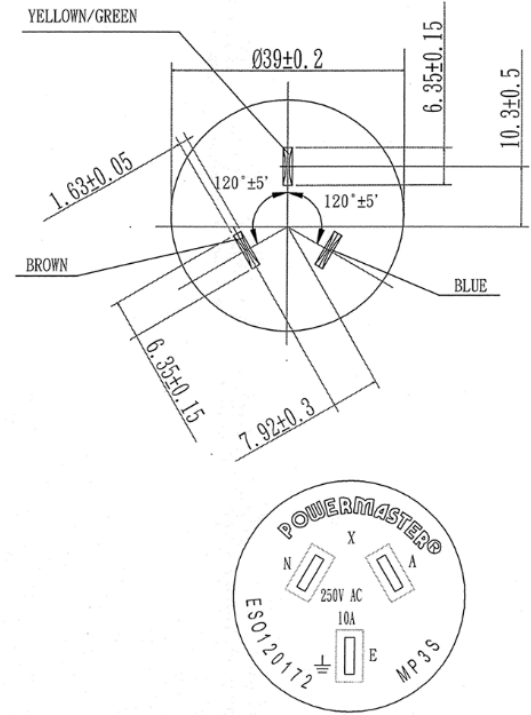
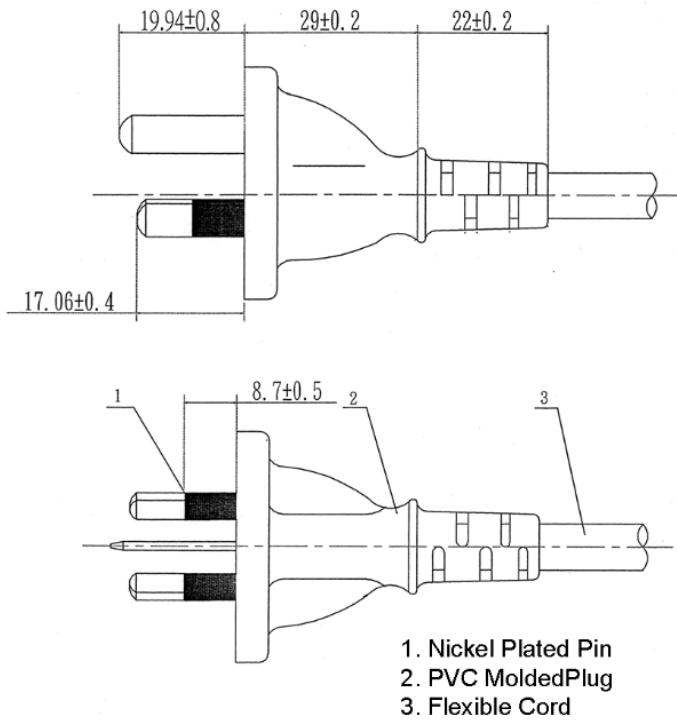
Phone: (02) 9414 8888  
Phone: (07) 3308 5555  
Phone: (03) 9330 8333  
Phone: (08) 8338 5540

Fax: (02) 9414 8800  
Fax: (07) 3308 5500  
Fax: (03) 9330 8330  
Mob: 0438 245 116

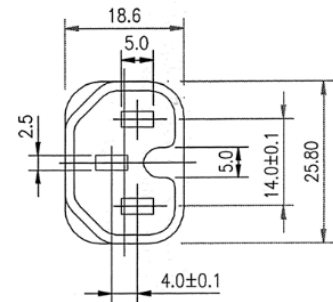
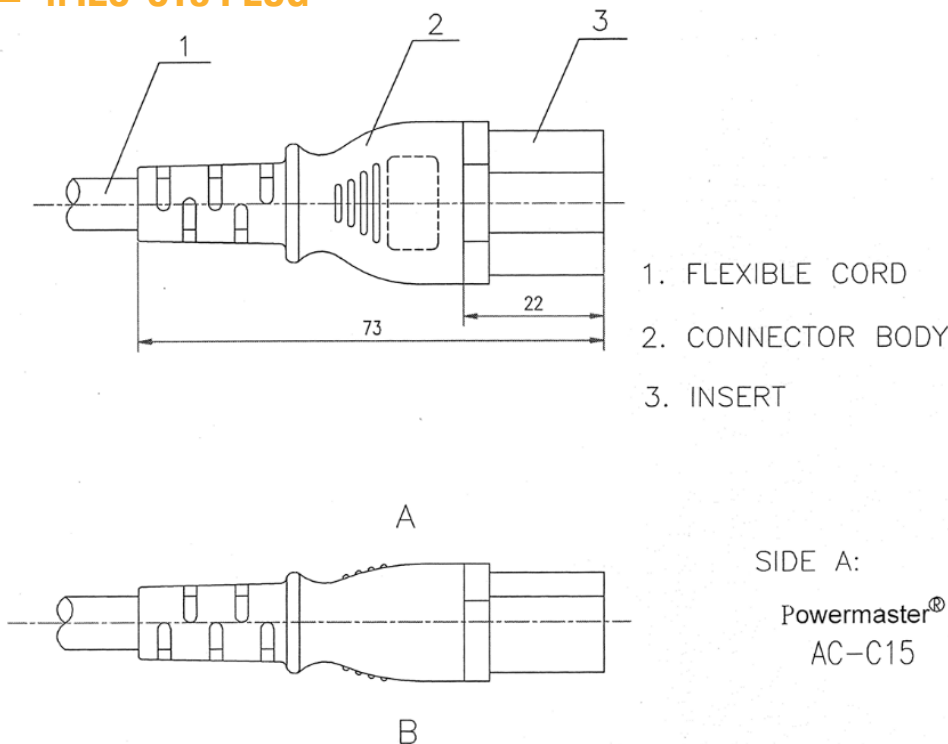
[websales@accesscomms.com.au](mailto:websales@accesscomms.com.au)  
[brisbane@accesscomms.com.au](mailto:brisbane@accesscomms.com.au)  
[melbourne@accesscomms.com.au](mailto:melbourne@accesscomms.com.au)  
[adelaide@accesscomms.com.au](mailto:adelaide@accesscomms.com.au)

## IEC-C15 Appliance Cord K3741 Series

### 4. MAINS PLUG



### 4. IEC-C15 PLUG



- |   |                              |
|---|------------------------------|
| 1 | PVC Flexible Cord            |
| 2 | PVC Moulded IEC-C5 Connector |

SIDE A:

Powermaster®  
AC-C15

SIDE B:

Q060696  
10A 250V~

To view Access' extensive ranges go to: [www.accesscomms.com.au](http://www.accesscomms.com.au)

**Sydney (Head Office)**  
**Brisbane Office**  
**Melbourne Office**  
**Adelaide Office**

33-35 Alleyne Street, Chatswood, NSW, 2067  
Unit 4, 7 Luke Street, Lytton, QLD, 4178  
28 The Gateway, Broadmeadows, VIC, 3047  
71 Anzac Highway, Ashford, SA, 5035

Phone: (02) 9414 8888  
Phone: (07) 3308 5555  
Phone: (03) 9330 8333  
Phone: (08) 8338 5540

Fax: (02) 9414 8800  
Fax: (07) 3308 5500  
Fax: (03) 9330 8330  
Mob: 0438 245 116

[websales@accesscomms.com.au](mailto:websales@accesscomms.com.au)  
[brisbane@accesscomms.com.au](mailto:brisbane@accesscomms.com.au)  
[melbourne@accesscomms.com.au](mailto:melbourne@accesscomms.com.au)  
[adelaide@accesscomms.com.au](mailto:adelaide@accesscomms.com.au)