

Plug DC Retro 1.3 9.5 x 3.5 x 1.3

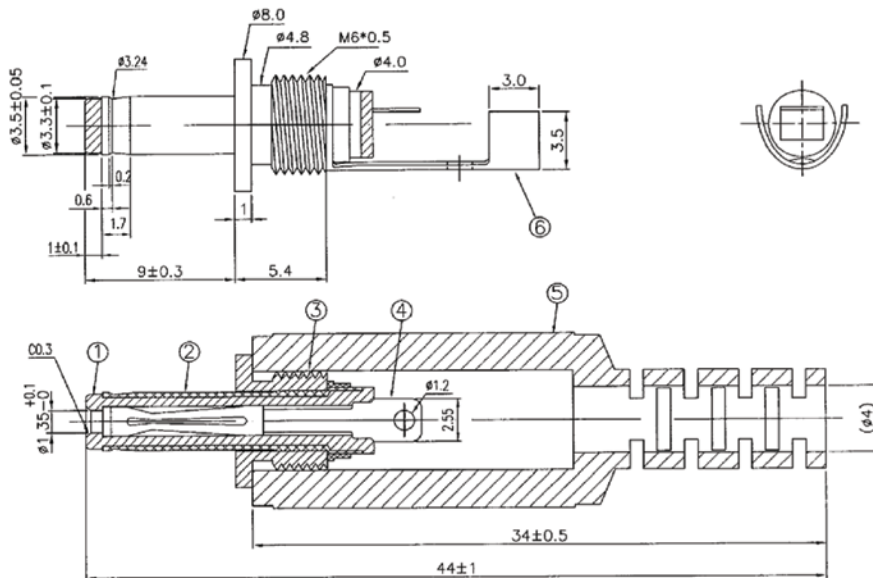
K3710



FEATURES

Quality retro-fit DC output plugs for use with power supplies. Soft PVC backshell with flexible cord entry for improved strain relief. Any of these output plug types can be injection moulded to output cords when ordering our power supplies.

DESIGN & CONSTRUCTION



1	POM (black)
2	Brass - Nickel plated
3	Brass - Nickel plated
4	Phosphor-Bronze nickel plated
5	PVC (Black)
6	Brass - Nickel plated

To view Access' extensive ranges go to: www.accesscomms.com.au

Sydney (Head Office)
Brisbane Sales
Melbourne Office
Adelaide Office

Unit 1, 29 Prince William Drive, Seven Hills NSW 2147
28 The Gateway, Broadmeadows VIC 3047
71 Anzac Highway, Ashford SA 5035

Phone: (02) 9414 8888
Phone: (07) 3308 5555
Phone: (03) 9330 8333
Phone: (08) 8338 5540

sales@accesscomms.com.au
brisbane@accesscomms.com.au
melbourne@accesscomms.com.au
adelaide@accesscomms.com.au

Plug DC Retro 1.3 9.5 x 3.5 x 1.3 K3710

DIFFERENT MODELS

K3710	(A)9.0(L) x 3.5(OD) x 1.3(ID)mm	DC Plug
K3712/09	(B)9.0(L) x 5.5(OD) x 2.1(ID)mm	DC Plug
K3712/14	(B)14.0(L) x 5.5(OD) x 2.1(ID)mm	DC Plug
K3714/09	(C)9.0(L) x 5.5(OD) x 2.5(ID)mm	DC Plug
K3714/14	(C)14.0(L) x 5.5(OD) x 2.5(ID)mm	DC Plug
K3715	(C)9.5(L) x 6.3(OD) x 3.2(ID)mm	DC Plug
K3672	(D) 2.5 mm	Mono Phono
K3674	(E) 3.5mm	Mono Phono
K3683	(F) 3 Pin	Mini-Din

K3695	(G) 5 Pin Din	240° Pins
K3701	(H) EIAJ-01	
K3702	(I) EIAJ-02	
K3703	(J) EIAJ-03	
K3704	(K) EIAJ-04	
K3705	(L) EIAJ-05	
K3708	(M)9.5(L) x 5.5(OD) x 2.1 (ID)mm	Right Angle
K3709	(N)9.5(L) x 5.5(OD) x 2.5 (ID)mm	Right Angle