

C1600 Series Outdoor Wall Mount Cabinets



FEATURES

The C1600 Series Outdoor Wall Mount Cabinet is your ideal choice for outdoor network management:

- **Durable Design:** Featuring a rugged SGCC finish in a powder coat to RAL7035 IP55 protection, these cabinets are built for harsh indoor and outdoor environments. Suited to process control applications, remote site applications and anywhere that demands a high level of protection for equipment.
- **Secure and Ventilated:** The single opening sheet metal front door provides both security and ventilation. It's equipped with waterproof locks and hinges for added protection.
- **Efficient Ventilation:** The roof is designed with ventilation holes for top maximum airflow under the eave of the roof without compromising the IP rating. Filters in the door behind the ventilation louvres in the door allow for regular replacement. Wall cabinets are installed with 2 x 240V fans to ensure maximum airflow.
- **Inside:** Adjustable 19" mounting rails front and rear with RU markings. Max rail to rail depth of 340mm on the 400mm deep version and 370mm on the 600mm deep version that can be adjusted to your needs. Front mounted vertical cable management rings on both sides. Round cable glands with removable rubber covers on base. High grade polyurethane door joint strip.
- **Included Accessories:** Each cabinet includes a bag of 12 cage nuts, 4 sets of M12*100 dynabolt and a set of front door keys (2 pcs) for secure access.
- **Customisation Options:** Personalise your cabinet with optional accessories like shelves, including 450mm cabinets with 270mm shelves or 600mm cabinets with 350mm shelves. Cabinets up to 18RU come with one pre-installed adjustable shelf..
- **Convenient Packaging:** All cabinets are shipped fully assembled for your convenience.

CAT#	CAPACITY	DIMENSIONS	SHELVES	FANS	WEIGHT	SHIPPING DIMENSIONS
C1606-645	6RU	654(W) x 373(H) x 488(D)mm	1	2	28.8 kg	700 x 550 x 450 31.5kg
C1609-645	9RU	654(W) x 507(H) x 488(D)mm	1	2	33.8 kg	700 x 550 x 570 36.4kg
C1609-660	9RU	654(W) x 507(H) x 633(D)mm	1	2	40.9 kg	700 x 700 x 570 45.5kg
C1612-645	12RU	654(W) x 640(H) x 488(D)mm	1	2	38.3 kg	700 x 550 x 710 42.3kg
C1612-660	12RU	654(W) x 640(H) x 633(D)mm	1	2	47.2 kg	700 x 700 x 710 50.8kg
C1618-645	18RU	654(W) x 1007(H) x 488(D)mm	1	2	53.1 kg	700 x 550 x 1220 66kg
C1618-660	18RU	654(W) x 1007(H) x 633(D)mm	1	2	64.1 kg	700 x 700 x 1220 80.8kg

Please note:

2 person lift recommended for C1606, C1609 and C1612.
C1618 will be shipped on a skid.

To view Access' extensive ranges go to: www.accesscomms.com.au

Sydney (Head Office)
Brisbane Sales
Melbourne Office
Adelaide Office

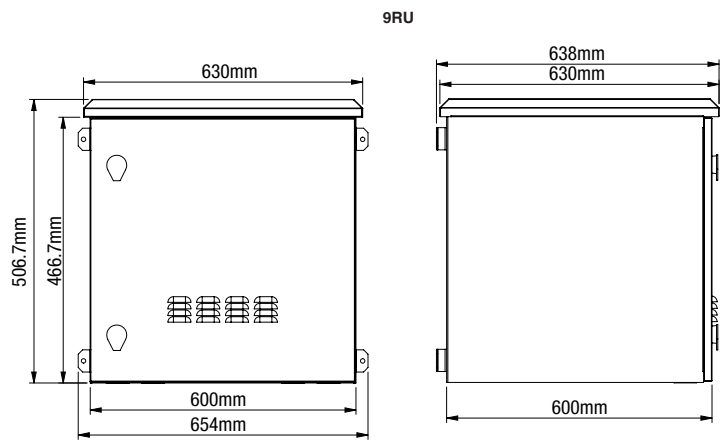
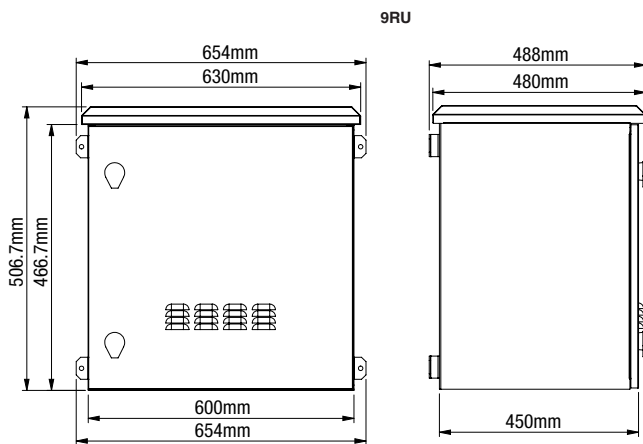
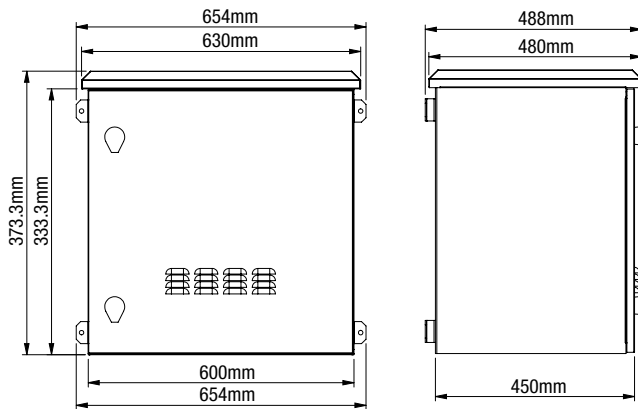
Unit 1, 29 Prince William Drive, Seven Hills NSW 2147
28 The Gateway, Broadmeadows VIC 3047
71 Anzac Highway, Ashford SA 5035

Phone: (02) 9414 8888
Phone: (07) 3308 5555
Phone: (03) 9330 8333
Phone: (08) 8338 5540

sales@accesscomms.com.au
brisbane@accesscomms.com.au
melbourne@accesscomms.com.au
adelaide@accesscomms.com.au

C1600 Series Outdoor Network Cabinets

DESIGN & CONSTRUCTION



To view Access' extensive ranges go to: www.accesscomms.com.au

Sydney (Head Office)
Brisbane Sales
Melbourne Office
Adelaide Office

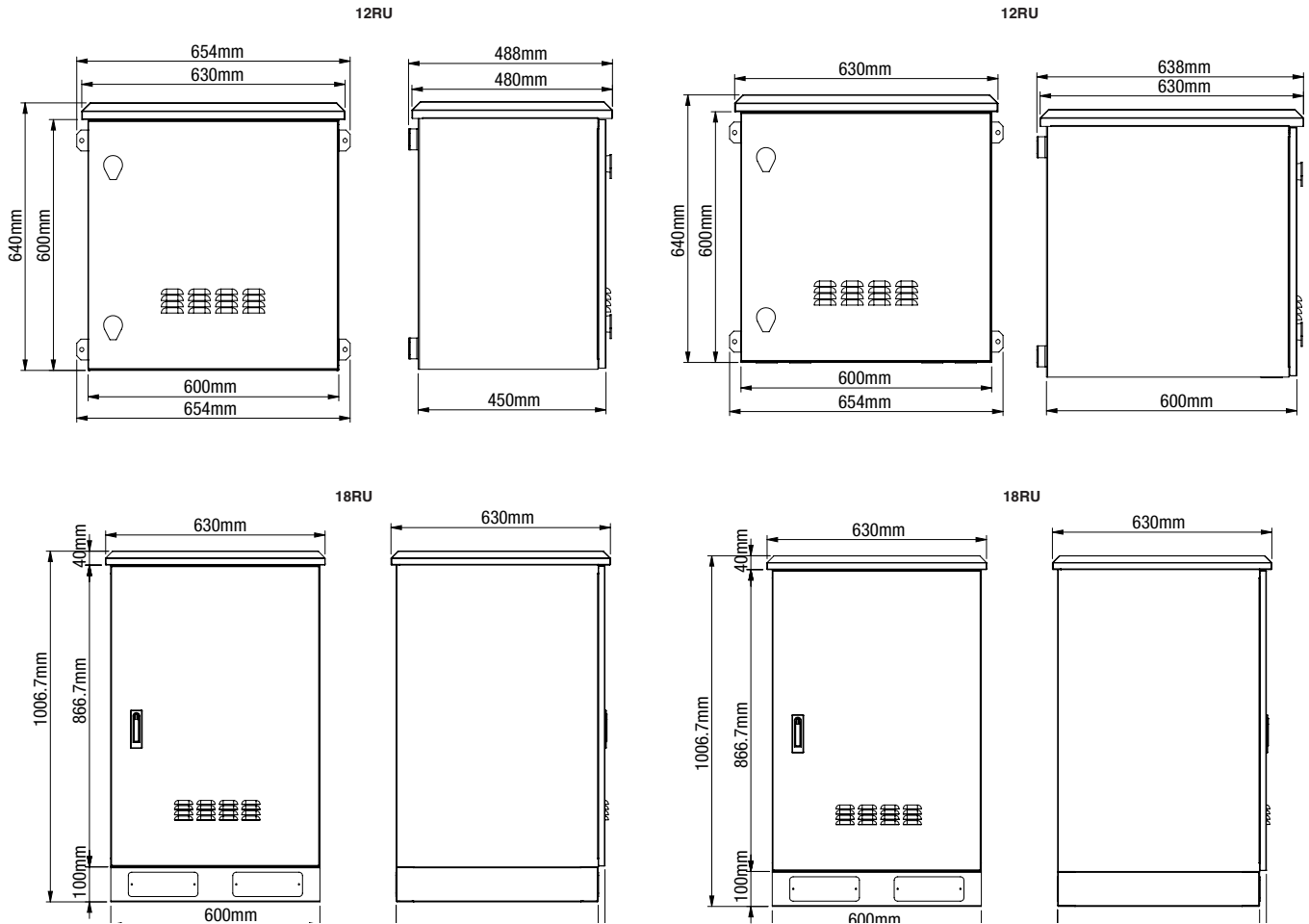
Unit 1, 29 Prince William Drive, Seven Hills NSW 2147

28 The Gateway, Broadmeadows VIC 3047
71 Anzac Highway, Ashford SA 5035

Phone: (02) 9414 8888
Phone: (07) 3308 5555
Phone: (03) 9330 8333
Phone: (08) 8338 5540

sales@accesscomms.com.au
brisbane@accesscomms.com.au
melbourne@accesscomms.com.au
adelaide@accesscomms.com.au

C1600 Series Outdoor Network Cabinets



To view Access' extensive ranges go to: www.accesscomms.com.au

Sydney (Head Office)
Brisbane Sales
Melbourne Office
Adelaide Office

Unit 1, 29 Prince William Drive, Seven Hills NSW 2147
 28 The Gateway, Broadmeadows VIC 3047
 71 Anzac Highway, Ashford SA 5035

Phone: (02) 9414 8888
 Phone: (07) 3308 5555
 Phone: (03) 9330 8333
 Phone: (08) 8338 5540

sales@accesscomms.com.au
brisbane@accesscomms.com.au
melbourne@accesscomms.com.au
adelaide@accesscomms.com.au

C1600 Series Outdoor Network Cabinets

PHOTOS



To view Access' extensive ranges go to: www.accesscomms.com.au

Sydney (Head Office)
Brisbane Sales
Melbourne Office
Adelaide Office

Unit 1, 29 Prince William Drive, Seven Hills NSW 2147

28 The Gateway, Broadmeadows VIC 3047
71 Anzac Highway, Ashford SA 5035

Phone: (02) 9414 8888
Phone: (07) 3308 5555
Phone: (03) 9330 8333
Phone: (08) 8338 5540

sales@accesscomms.com.au
brisbane@accesscomms.com.au
melbourne@accesscomms.com.au
adelaide@accesscomms.com.au