

12V DC Fan Kit

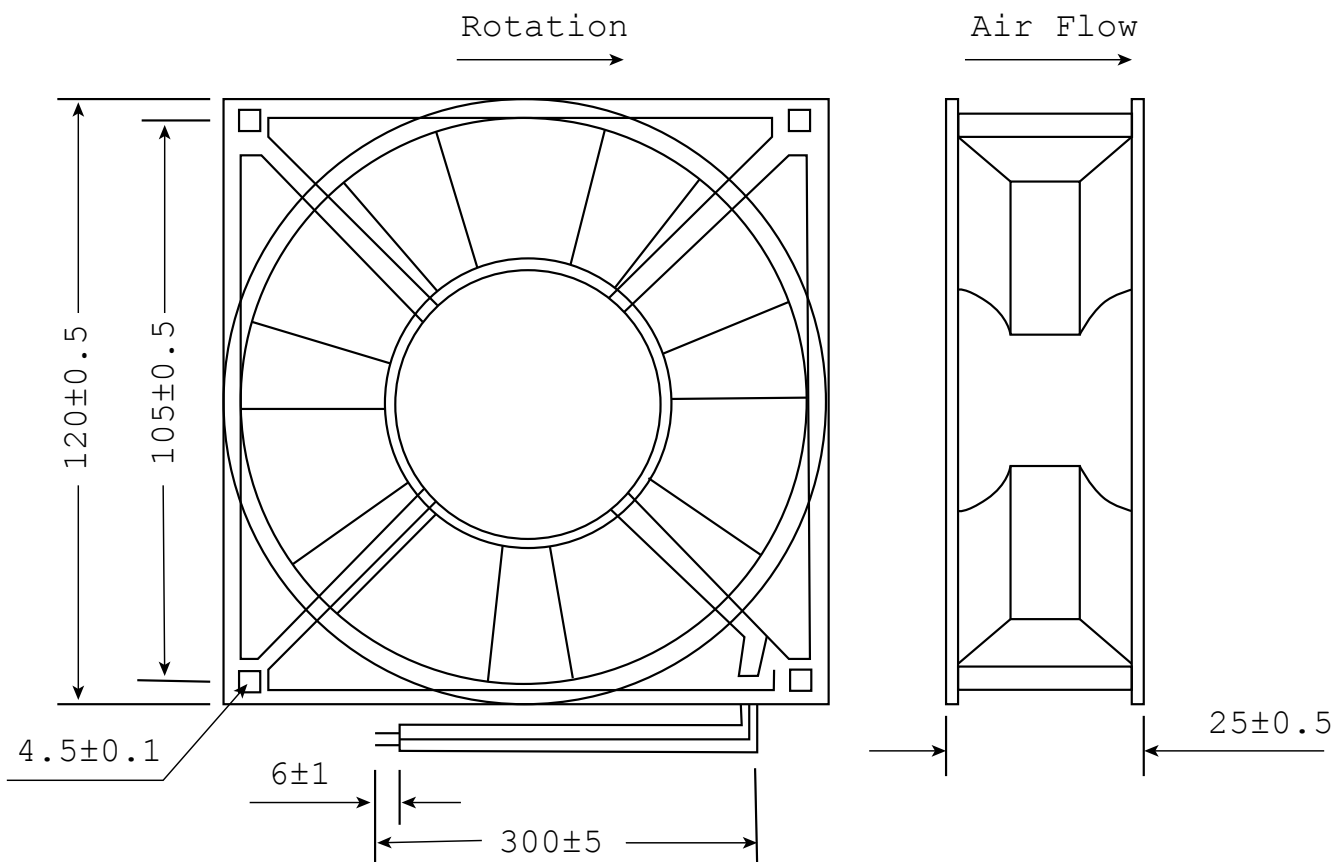
C1012-001



FEATURES

- Cooling fan to suit Datamaster® C1100 and C1200 series wall cabinets.
- 12V DC. 1 Amp power supply.
- Mounting bolts are included.

DESIGN & CONSTRUCTION



To view Access' extensive ranges go to: www.accesscomms.com.au

Sydney (Head Office)
Brisbane Sales
Melbourne Office
Adelaide Office

Unit 1, 29 Prince William Drive, Seven Hills NSW 2147

28 The Gateway, Broadmeadows VIC 3047
71 Anzac Highway, Ashford SA 5035

Phone: (02) 9414 8888
Phone: (07) 3308 5555
Phone: (03) 9330 8333
Phone: (08) 8338 5540

sales@accesscomms.com.au
brisbane@accesscomms.com.au
melbourne@accesscomms.com.au
adelaide@accesscomms.com.au

12V DC Fan Kit

C1012-001

ELECTRICAL CHARACTERISTICS

Rated Voltage	12V DC
Operating Voltage Range	10.5 - 14.5V DC
Starting Voltage	7.5V DC
Rated Current	0.28A ± 15%
Input Power	3.96W ± 15%
Insulation Resistance	10MΩ min. @ 500V DC
Dielectric Strength	500V AC min. current <5mA
Motor Protection	Impedance Protected
Rated Speed	2100RPM ± 5%

MECHANICAL CHARACTERISTICS

Motor Design	Brushless construction
Bearing System	Sleeve bearings
Direction of Rotation	Counter clockwise
Weight	160G

MATERIAL SPECIFICATIONS

Frame	2x24 PBT Thermoplastic
Blades	PBT Thermoplastic
Lead Wire	24AWG Copper

AIRFLOW

Air Flow*	88.5 CFM
Static Pressure*	4.5mmH ₂ O

* Measured in a double chamber. The value is recorded when the fan speed has stabilised at the rated voltage.