

## 06G Series T0512-004 Plug-in Switch Mode Power Supply Unit

### INPUT

	MINIMUM	NORMAL	MAXIMUM
AC Input Voltage	90V AC	100 – 240V AC	264V AC
AC Input Frequency	47 Hz	50 / 60 Hz	63 Hz
AC Input Current – 230V AC (max)			0.18A
Input Power (max)			7.72W
AC Inrush Current* – 230V AC, 50Hz	No immediate damage or long term impact. Peak inrush current is limited to 30A for a cold start.		
Primary current protection	An internal fuse on the AC input line is provided.		
Configuration	Wall mount, AU-pin, 2-conductors, <Active, Neutral>		

### Power consumption at no load

Input current	≤20mA
Input 230V AC 50 Hz	0.3W max

### OUTPUT

Normal DC Output Voltage	+5.0V
Maximum Load Current	1.00A
Minimum Load Current	0.01A
Rated Output Power	5.0W
Load Regulation	±5% from 0% to 100% of rated load
Ripple and Noise *	200mV
Over-current Protection	The output shall be protected against over-current conditions. A power cycle shall be required to restore normal operation.
Short-circuit Protection	The adaptor shall not be damaged by shorting the DC output to Ground with auto recovery functioning correctly.
Hold-up Time (min) **	8mS
Output over-shoot	<7% of nominal voltage value
Temperature coefficient	Output voltage temperature coefficient ±0.05%/°C
Turn-on Delay (max) **	4 Seconds
Rise Time	Start-up rise time of <50mS to rise to within regulation limits
Efficiency	68.17% minimum.

\* Voltage measured P-P at 20MHz and output parallel with 0.1µF/50V ceramic & 10uF/50V aluminum electrolytic capacitors across the output terminals.

\*\* At nominal AC voltage and full load.

**06G Series T0512-004 Plug-in Switch Mode Power Supply Unit****MECHANICAL**

Dimensions	55.1(H) x 40.44(W) x 44.49(D)mm.
Input Plug Type	Wall type, SAA 2-pin AS/NZS3112:2000
Output Plug	USB 4-pin Pin 1 (-); Pin 4 (+); Pins 2 & 3 (Short)

**ENVIRONMENTAL**

Cooling	Natural convection.
Operating Temperature	0°C to +40°C
Storage Temperature	-20°C to +80°C
Operating Humidity	10 ~ 90 % Non-condensing
Storage Humidity	10 ~ 90 % Non-condensing
Surge Immunity	L-N : 1.5KV

**SAFETY**

Dielectric withstanding voltage test (Hi-pot test) input to output	3000V AC 5mA for 1 minute..
Insulation Resistance	40MΩ (min) at 500V DC.
Leakage Current	0.25mA maximum
Reinforced Insulation	Primary-to-Ground and Primary-to-Secondary

**RELIABILITY**

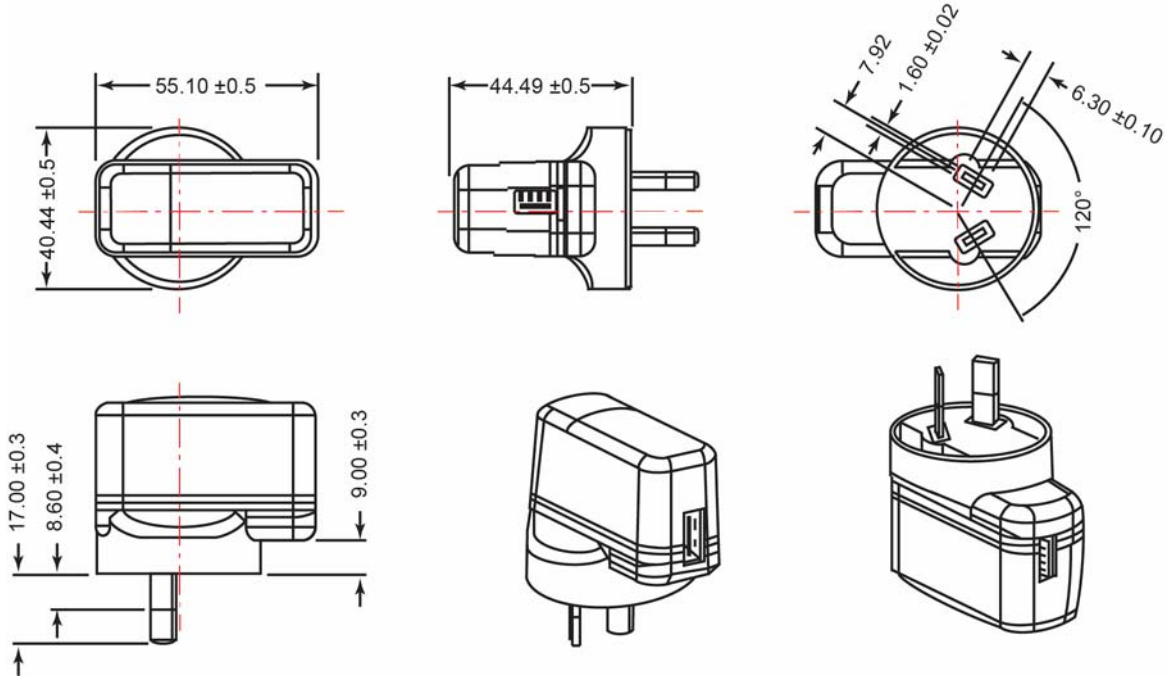
Mean Time Between Failure (MTBF)	The power supply is designed to have a MTBF of 50,000 hours.
----------------------------------	--

**COMPLIANCE**

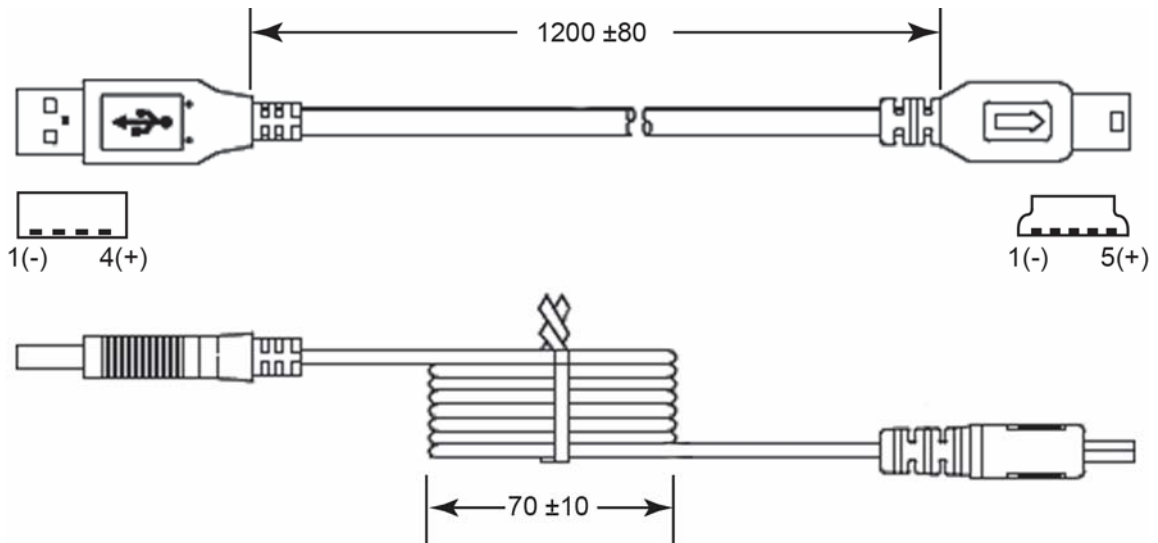
AS/NZS60950.1

**06G Series T0512-004 Plug-in Switch Mode Power Supply Unit**

**PRODUCT OUTLINE DRAWING**

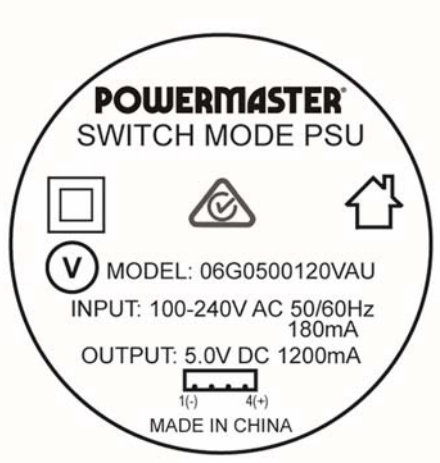


**DC OUTPUT CORD DRAWING**



06G Series T0512-004 Plug-in Switch Mode Power Supply Unit

RATING PLATE



PACKING DRAWING

