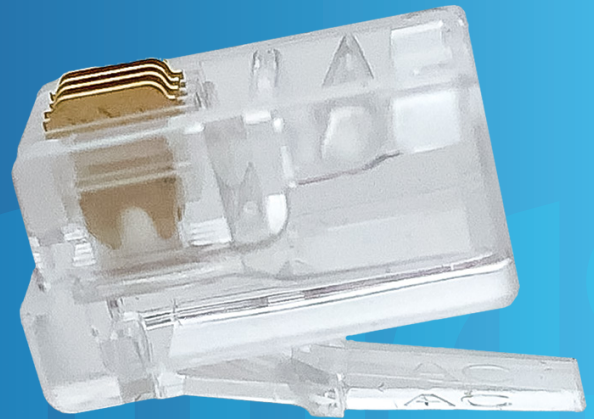


6P4C MODULAR PLUGS ROUND / SOLID / FLAT / STRANDED

P2013, P2014, P2015, P2138-100



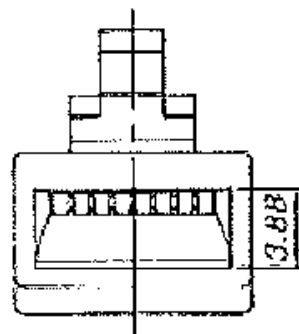
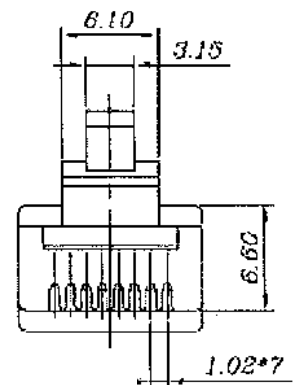
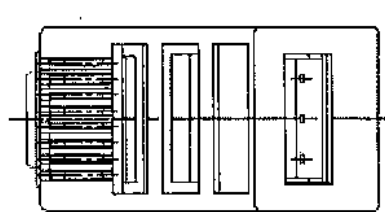
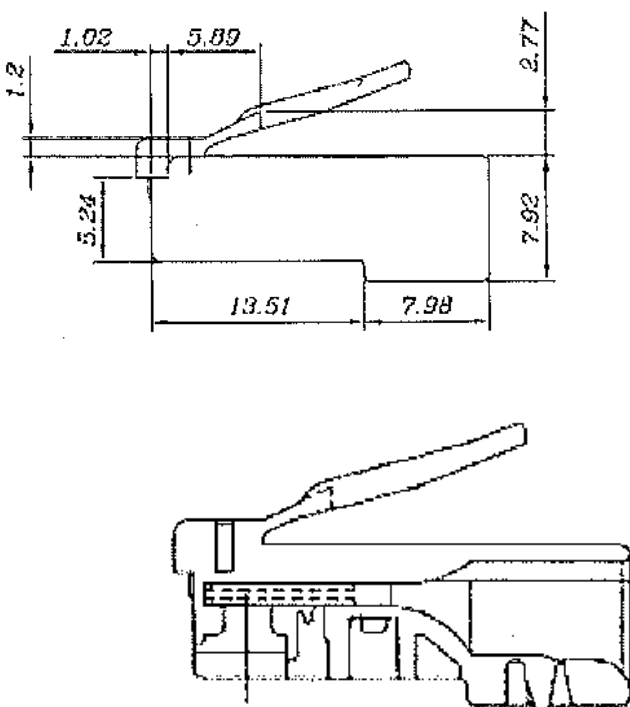
FEATURES

Generally used for termination of line cords. Plugs with 50µ", 30µ", 15µ" or 6µ" gold plated contacts are available.

Packed in bags of 20, 50, 100 or bulk. Plugs for stranded or solid conductors with round or flat cord entry are stocked.

CAT#	TYPE	CONDUCTOR TYPE	PACKING
P2013	6P4C	Flat / Stranded	20 Pieces
P2014	6P4C	Flat / Stranded	50 Pieces
P2015	6P4C	Flat / Stranded	100 Pieces
P2138-100	6P4C	Round/ Solid	100 Pieces

DESIGN & CONSTRUCTION



To view Access' extensive ranges go to: www.accesscomms.com.au

Sydney (Head Office)
Brisbane Office
Melbourne Office
Adelaide Office

Unit 1, 29 Prince William Drive, Seven Hills NSW, 2147
28 The Gateway, Broadmeadows, VIC, 3047
71 Anzac Highway, Ashford, SA, 5035

Phone: (02) 9414 8888
Phone: (07) 3308 5555
Phone: (03) 9330 8333
Phone: (08) 8338 5540

Fax: (02) 9414 8800
Fax: (07) 3308 5500
Fax: (03) 9330 8330

websales@accesscomms.com.au
brisbane@accesscomms.com.au
melbourne@accesscomms.com.au
adelaide@accesscomms.com.au

6P4C MODULAR PLUGS ROUND / SOLID / FLAT / STRANDED

P2013, P2014, P2015, P2138-100



DATA

ELECTRICAL SPECIFICATIONS

UL Applications	250 Volts AC Max at 2 AMPS
Dielectric Withstanding Voltage	500 V AC
Insulation Resistance:	100 MΩ
Termination	Resistance 20 MΩ Max after environmental testing

MECHANICAL SPECIFICATIONS

Cable to Plug Tensile Strength	19.6N / PCS Min
Durability	200 Mating Cycles

USAGE SPECIFICATIONS

Suitable for Stranded & Solid Wire
24 AWG ~ 28 AWG

MATERIAL SPECIFICATIONS

Housing	Polycarbonate UL 94V-0
Colour	Transparent
Contact Blade	Copper Alloy
Conductor	Stranded 24AWG, 26AWG, 28AWG
Gold Plating	30μ

PRODUCT PACKAGING



To view Access' extensive ranges go to: www.accesscomms.com.au

Sydney (Head Office)
Brisbane Office
Melbourne Office
Adelaide Office

Unit 1, 29 Prince William Drive, Seven Hills NSW, 2147
28 The Gateway, Broadmeadows, VIC, 3047
71 Anzac Highway, Ashford, SA, 5035

Phone: (02) 9414 8888
Phone: (07) 3308 5555
Phone: (03) 9330 8333
Phone: (08) 8338 5540

Fax: (02) 9414 8800
Fax: (07) 3308 5500
Fax: (03) 9330 8330

websales@accesscomms.com.au
brisbane@accesscomms.com.au
melbourne@accesscomms.com.au
adelaide@accesscomms.com.au