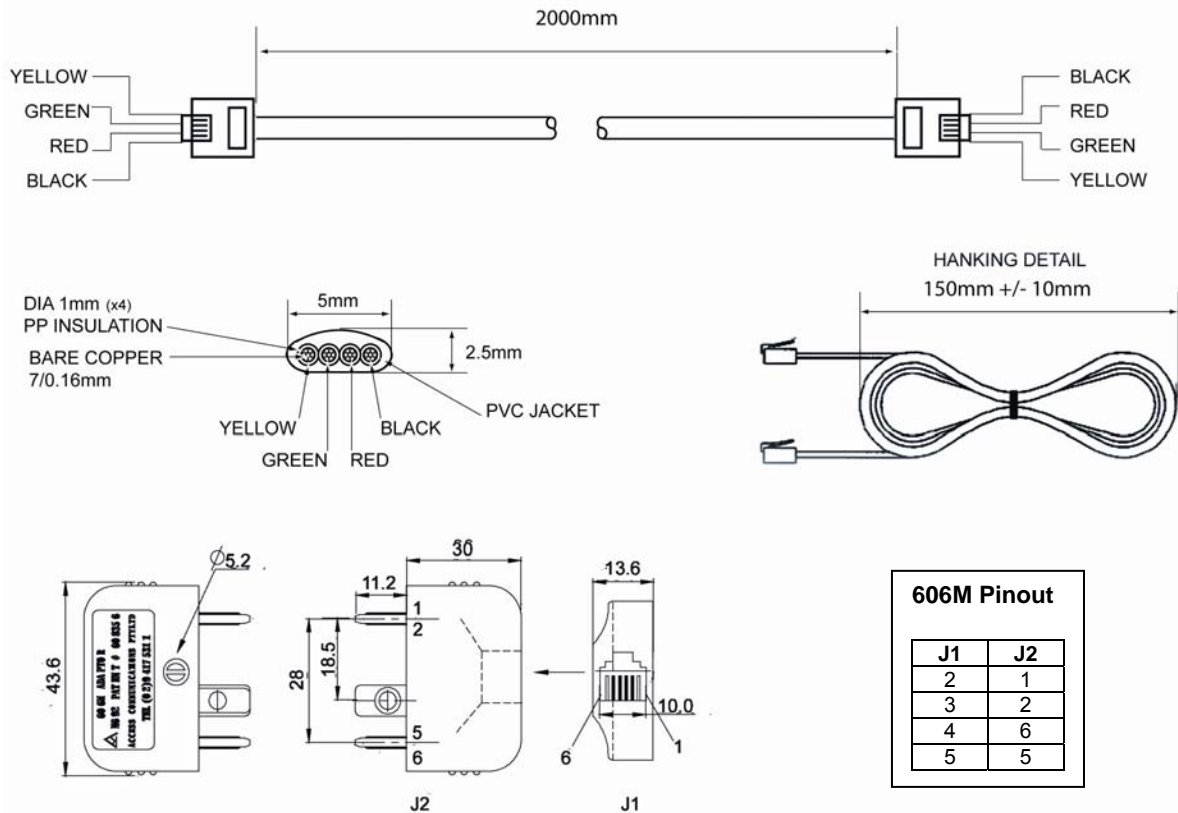


Cat # W3742IVO 606/RJ11 2-Piece Line Cord



COMPONENTS

P6240 606M Modular Plug Adaptor (Aust Patent # 608356)
W2492IVO Y9000 series 4-Conductor Cross-over Modular Line Cord fitted with a P2136 6P4C Modular Plug on each end.

P6240 CHARACTERISTICS

Interface resistance of mated contacts	37.7mΩ
Electrical strength	1.0KV AC between contacts 1.5KV AC between contacts & body
Insulation resistance	>100MΩ
Insertion force	15-30 newtons
Withdrawal force	10-20 newtons

W2492IVO CHARACTERISTICS

Modular plug type	6P4C
Gold plating	50u"
Pin 1	N/C
Pin 2	Yellow
Pin 3	Green
Pin 4	Red
Pin 5	Black
Pin 6	N/C