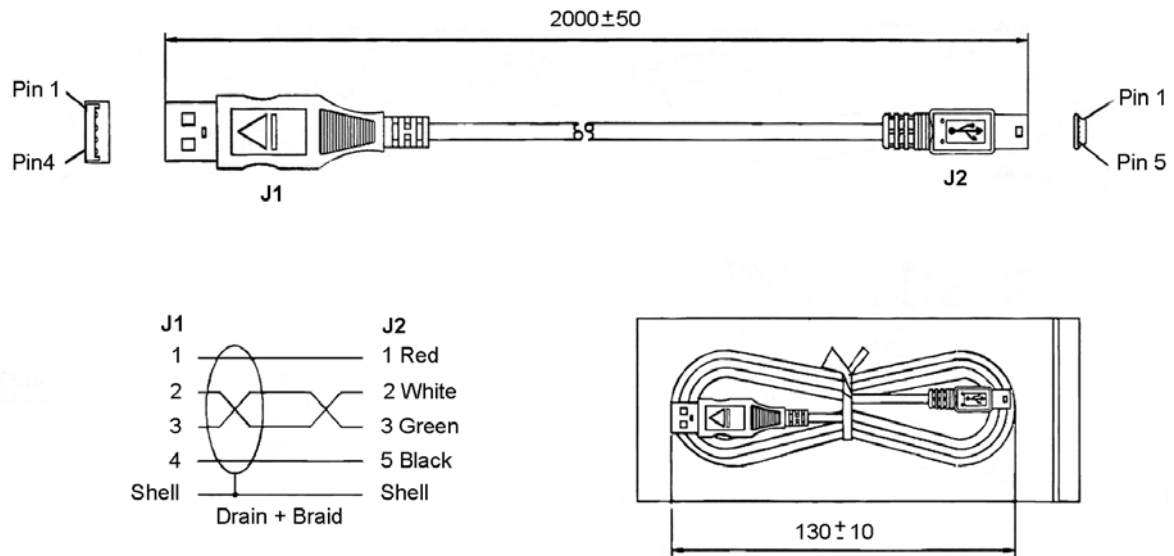


**Cat # W2702 Mini USB cable**



<b>Signal conductors</b>	: 2 conductors of 28AWG (twisted pair)
<b>Power conductors</b>	: 2 conductors of 24AWG
<b>Shield /Drain</b>	: Aluminium drain wire and braid
<b>Cable Type</b>	: UL2725 Full-speed USB 2.0. O/D 4.5mm
<b>Connectors</b>	: J1 USB-A Male J2 Mini-USB