

ELECTRICAL CHARACTERISTICS

UL Applications	250 V AC Max at 2 Amps
Dielectric withstanding Voltage	500 V AC
Insulation resistance	100 MΩ
Termination	Resistance 20 MΩ Max after environmental testing

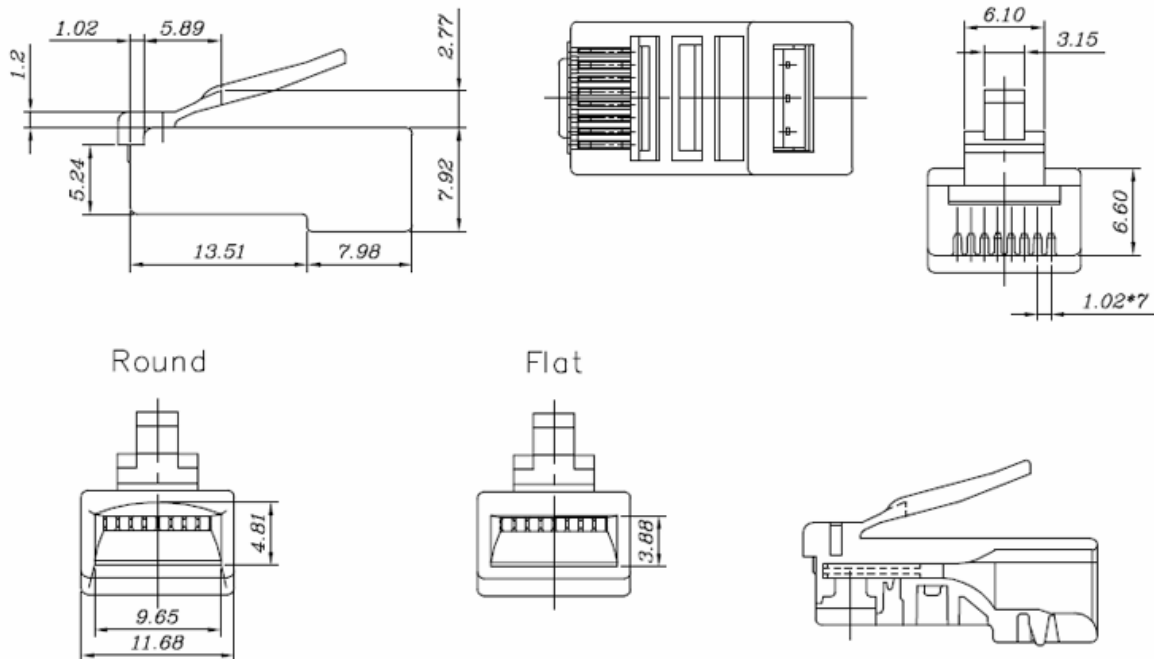
MECHANICAL CHARACTERISTICS

Cable to Plug Tensile strength	19.6N/PCS Min
Durability	200 Mating cycles

MATERIAL AND FINISH

Housing	Polycarbonate UL94V-O or UL94V-2
Color	Transparent
Contact Blade	Phosphor and Bronze
Conductor	Stranded and Solid Wire 24AWG, 26AWG, 28AWG
Gold Plating	50u", 30u" and 15u" available

PRODUCT DRAWING AND DIMENSIONS



VARIANTS

Cat #	Connections	Plug Type	Cord Entry	Conductor Type	Packing
P2163	8P8C	Standard	Flat	Stranded	Bulk
P2051	8P8C	Standard	Flat	Stranded	5-pack
P2053	8P8C	Standard	Flat	Stranded	20-pack
P2054	8P8C	Standard	Flat	Stranded	50-pack
P2055	8P8C	Standard	Flat	Stranded	100-pack
P2160	8P8C	Standard	Flat	Solid	Bulk
P2162	8P8C	Standard	Round	Stranded	Bulk
P2060	8P8C	Standard	Round	Stranded	10-pack
P2061	8P8C	Standard	Round	Stranded	20-pack
P2062	8P8C	Standard	Round	Stranded	50-pack
P2063	8P8C	Standard	Round	Stranded	100-pack
P2164	8P8C	Standard	Round	Solid	Bulk
P2056	8P8C	Standard	Round	Solid	5-pack
P2057	8P8C	Standard	Round	Solid	20-pack
P2058	8P8C	Standard	Round	Solid	50-pack
P2059	8P8C	Standard	Round	Solid	100-pack
P2161	8P8C	2-piece			Bulk