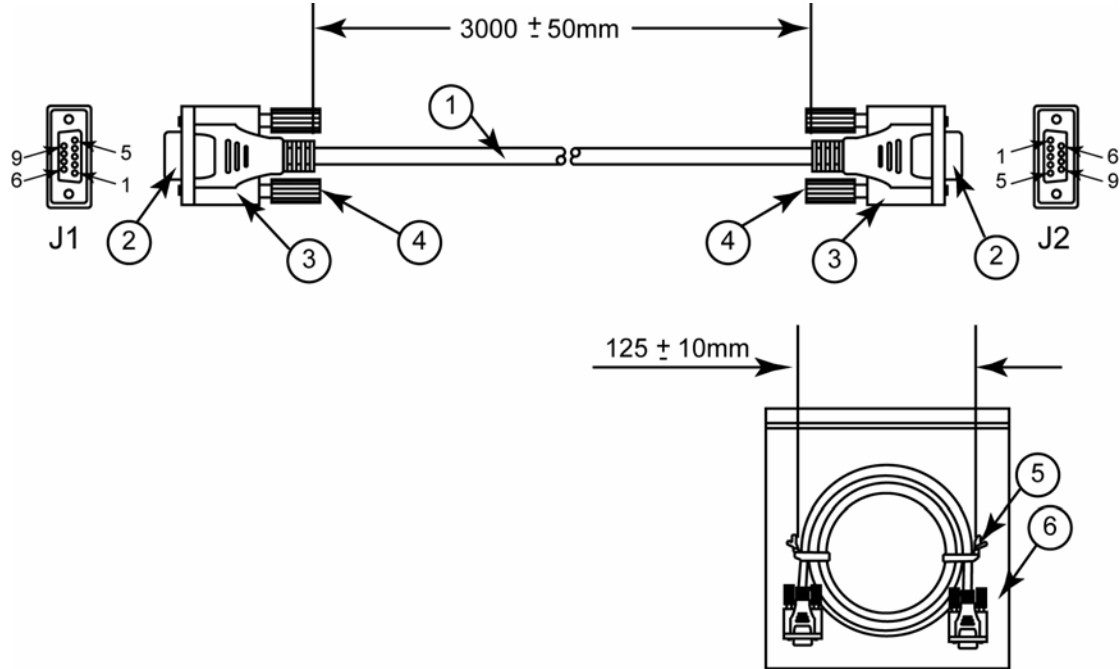


W6693BLK Null Modem Cable (Partial Handshake)

PRODUCT DRAWING

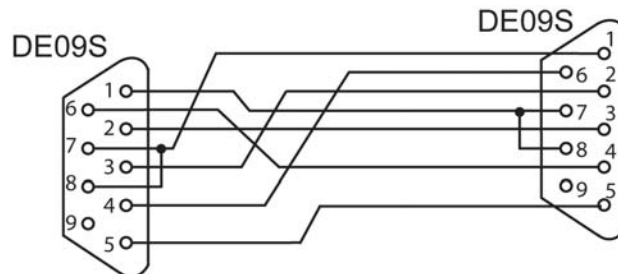


PHYSICAL CHARACTERISTICS

1	Cable	UL2464 28AWG x 7 conductors + Shield OD: 5.0 ± 0.15mm
2	D-subminiature Connector	Type DE-09S (DB9F)
3	Backshell	Moulded PVC / PE
4	Thumbscrew	Ø 1.0 x 10mm PVC Covered
5	Twist Tie	Black color (160mm)
6	Shipping Bag	PE (Heat sealed) (200 x 160mm)

WIRING CONFIGURATION

J1		J2
1	Black	7 + 8
2	Brown	3
3	Red	2
4	Orange	6
5	Yellow	5
6	Green	4
7 + 8	Blue	1
9		9



Null Modem Cable - Partial Handshaking