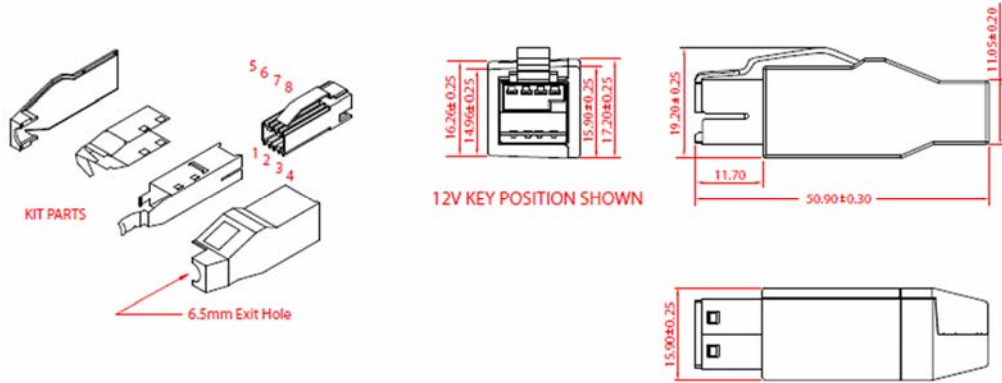
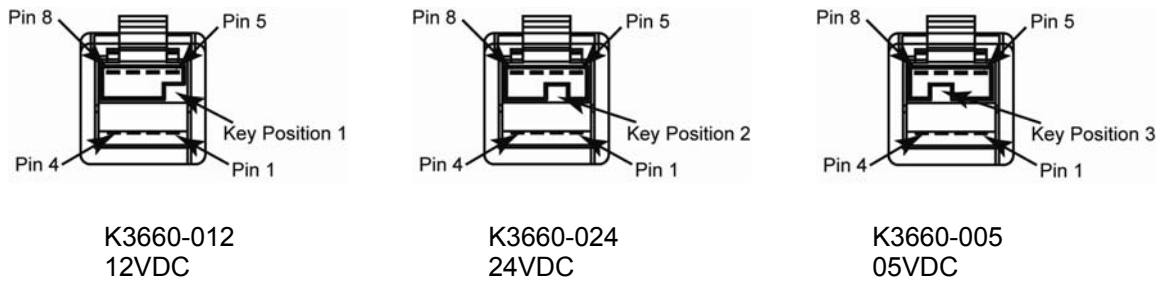


DESIGN



KEY POSITIONS AND PINOUT



Front view of plug showing connector pinout and key position

CHARACTERISTICS

Parameter					
Contact current rating	3A				
Contact Resistance	30mΩ Max (initial) 400mΩ Max (after life-test)				
Insulation Resistance	1000MΩ Minimum				
Dielectric Strength	750V AC / 1 minute				
Insertion Force	6.6kgf Max				
Withdrawal Force	1.0kgf Min				
Key Colors	Key Position	Key Color	Voltage	Cat #	
	1	Pantone Teal 3262C	12VDC	K3660-012	
	2	Pantone Red 032C	24VDC	K3660-024	
	3	Pantone Cool Grey 1C	5VDC	K3660-005	
Voltage Assignments	Pin Number	5	2	8	7
	Voltage	USB GND	VDC	VDC	POWER GND