

60D Series T1540-008 In-line Switch Mode Power Supply Unit

INPUT

	MINIMUM	NORMAL	MAXIMUM
AC Input Voltage	90V AC	100 – 240V AC	264V AC
AC Input Frequency	47 Hz	50 / 60 Hz	63 Hz
AC Input Current – 115V AC (max)			1.5A
AC Input Current – 230V AC (max)			0.8A
AC Inrush Current* – 115V AC, 60Hz	No damage shall occur and the input fuse shall not blow.		
AC Inrush Current* – 230V AC, 50Hz			
Primary current protection	An internal fuse on the AC input line is provided.		
Configuration	3-conductors, <Active, Neutral, Earth>		

* At full-load, 25°C, cold start.

Power consumption at no load (maximum)

Input 240V AC 50 Hz	0.75W max
---------------------	-----------

OUTPUT

Normal DC Output Voltage	+15.0V
Minimum Load Current	0.0A
Maximum Load Current	5.5A
Maximum Output Power	60W
Ripple and Noise *	200mV
Efficiency (min) **	80%
Over-current protection (max)	8A with auto-recovery
Total Output Regulation	+/- 5%
Dynamic Load Regulation ***	+/- 5%
Short-circuit protection	No damage when shorting the DC output to ground.
Open-circuit protection	When primary power is applied with no load on any output level, no damage or hazardous conditions should occur.
Drop-out	With half cycle input voltage drop-out, the unit shall meet the regulation requirement and operate within the prescribed voltages with a drop-out pulse repetition rate of 500mS under full load and with normal AC input voltage.

* Voltage measured P-P at 20MHz and output parallel with 0.1uF & 47uF capacitor to ground. Temperature at 25°C and normal AC input voltage.

** At normal input voltage and full load.

*** For 50%~100%~50% load change at any frequency up to 250Hz with 50% duty.

MECHANICAL

Dimensions	114(L) x 62(W) x 36.5(H)mm maximum.
Weight	350g maximum.
240V Mains Inlet	IEC-C8 2-pin 2-conductors, <Active, Neutral>
Output Cord	Wire: SPT-1, VW-1, 18AWG, 2000mm.
Output Plug	11(L) x 5.5(D) x 2.1(ID)mm

60D Series T1540-008 In-line Switch Mode Power Supply Unit

ENVIRONMENTAL

Cooling	Natural convection.
Operating Temperature	0°C to +40°C
Storage Temperature	-40°C to +60°C
Operating Humidity	20 ~ 85 % RH. Non-condensing
Storage Humidity	5 ~ 95 % RH. Non-condensing

SAFETY

Dielectric withstanding voltage test (Hi-pot test)	1,500V AC, 10mA, 1 minute (Primary to Secondary) 1,500V AC, 10mA, 1 minute (Primary to FG)
Insulation Resistance	> 100MΩ at 500V DC between Primary Active, Neutral line and secondary.
Leakage Current	0.5mA maximum at normal AC input voltage and frequency

Australian Certificate of Approval (Electrical Safety) Q04547

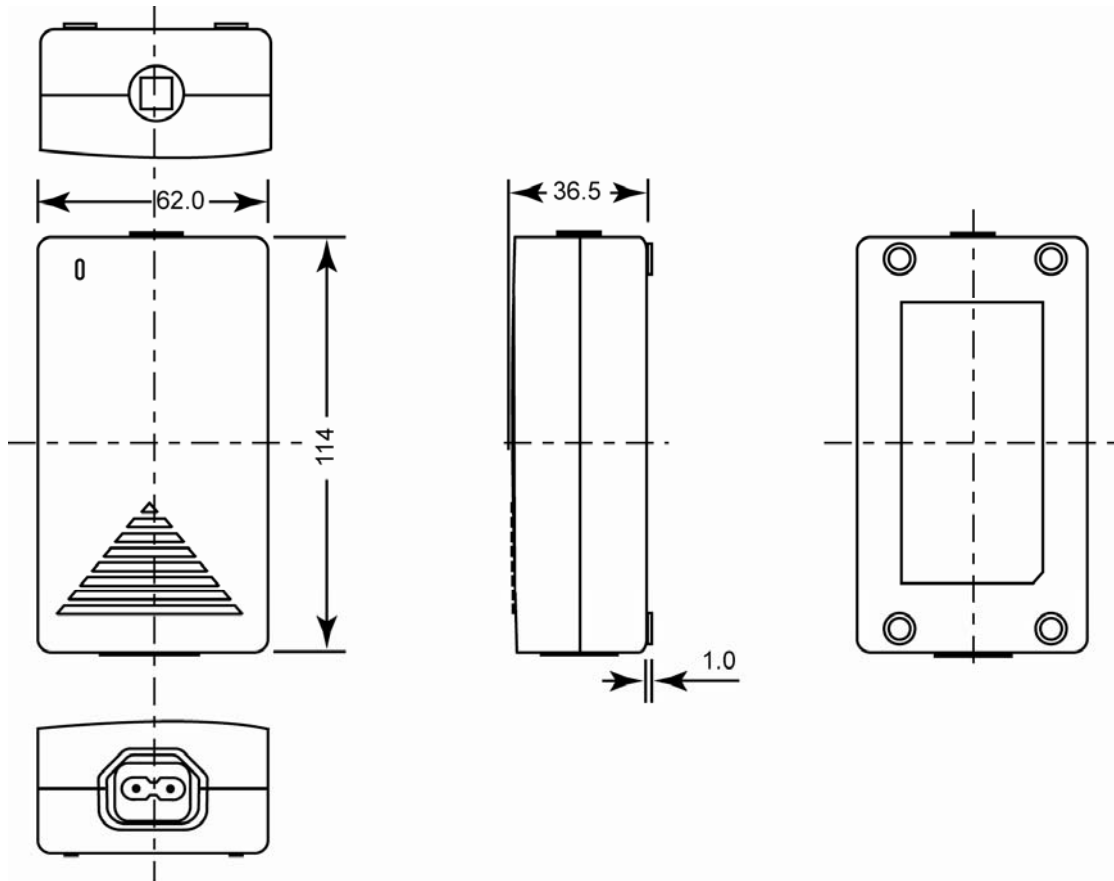
RELIABILITY

Mean Time Between Failure (MTBF)	The power supply is designed to have a MTBF of 50,000 operating hours at nominal AC input voltage, 80% full load and 25°C ambient temperature.
Burn-in Test	4 hours at 40°C +/- 5°C, normal input voltage, 80% of maximum load.

RATING PLATE



PRODUCT OUTLINE DRAWING



DC OUTPUT CORD DRAWING

