

10G Series Plug-in Switch Mode Power Supply Unit

INPUT

MODEL		5V DC	6V DC	7.5V DC	9V DC	12V DC
AC Input Voltage	Min	90V	90V	90V	90V	90V
	Normal	100– 240V	100– 240V	100– 240V	100– 240V	100– 240V
	Max	264V	264V	264V	264V	264V
AC Input Frequency	Min	47Hz	47Hz	47Hz	47Hz	47Hz
	Normal	50/60Hz	50/60Hz	50/60Hz	50/60Hz	50/60Hz
	Max	63 Hz	63 Hz	63 Hz	63 Hz	63 Hz
AC Input Current 230V AC (max)		0.3A	0.3A	0.3A	0.3A	0.3A
Input Power (max)		17.14W	17.14W	14.10W	17.14W	17.14W
AC Inrush Current*	No damage shall be incurred and input fuse shall not blow					
Primary current protection	An internal fuse on the AC input line is provided.					
Configuration	Wall-mount, AU pin, 2 conductors <Active, Neutral>					

* 230V AC 50Hz. Full-load. 25°C, Cold start.

Power consumption at no load

MODEL	5V DC	6V DC	7.5V DC	9V DC	12V DC
Input current	≤25mA	≤25mA	≤25mA	≤25mA	≤25mA
Input 230V AC 50 Hz	0.6W max	0.6W max	0.5W max	0.6W max	0.6W max

OUTPUT

MODEL	5V DC	6V DC	7.5V DC	9V DC	12V DC
Normal DC Output Voltage	+5V	+6V	+7.5V	+9V	+12.0V
Maximum Load Current	2.0A	1.67A	1.33A	1.1A	1.0A
Minimum Load Current	0.05A	0.05A	0.0A	0.05A	0.05A
Rated Output Power	10.0W	10.0W	14.10W	10.0W	12.0W
Efficiency *	70.0%	70.0%	70.7%	70.0%	70.0%
Load Regulation	±5% from 10% to 100% of rated load				
Ripple and Noise **	100mV				
Over-current Protection	Adaptor protected with 200% of rated output.				
Over-voltage Protection	Zener clamp.				
Short-circuit Protection	The adaptor shall not be damaged by shorting the DC output to Ground with auto recovery functioning correctly.				
Hold-up Time (min) ***	10mS				
Output over-shoot	<7% of nominal voltage value				
Temperature coefficient	Output voltage temperature coefficient ±0.05%/°C				
Turn-on Delay (max)	2 Seconds				
Rise Time	Start-up rise time of <20mS to rise to within regulation limits				

* Minimum at normal input voltage and full load.

** Voltage measured P-P at 20MHz and output parallel with 100nF ceramic & 10uF electrolytic capacitors to ground. Temperature at 25°C and nominal AC input voltage.

*** At nominal AC voltage and full load.

10G Series Plug-in Switch Mode Power Supply Unit

MECHANICAL

MODEL	5V DC	6V DC	7.5V DC	9V DC	12V DC
Weight (Max)	108g	108g	100g	108g	108g
Dimensions	72.0(L) x 38.0(W) x 26.5(D)mm.				
Input Plug Type	Wall type, SAA 2-pin AS/NZS3112:2000				
Output Cord	Wire: 18AWG/2C, 2000mm.				
Output Plug	DC Barrel Plug (with fork & groove)				

ENVIRONMENTAL

Cooling	Natural convection.
Operating Temperature	0°C to +40°C
Storage Temperature	-20°C to +80°C
Operating Humidity	10 ~ 90 % Non-condensing
Storage Humidity	10 ~ 90 % Non-condensing




SAFETY

Dielectric withstanding voltage test (Hi-pot test) input to output	3000V AC 10mA for 1 minute..
Insulation Resistance	10MΩ at 500V DC between Primary Active, Neutral line and secondary.
Leakage Current	0.25mA maximum at normal AC input voltage and frequency

RELIABILITY

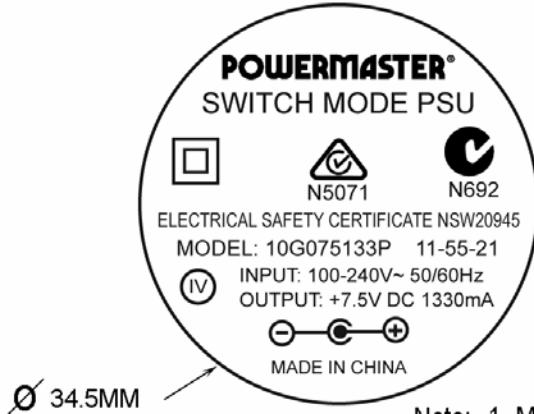
Mean Time Between Failure (MTBF)	The power supply is designed to have a MTBF of 50,000 hours.
----------------------------------	--

COMPLIANCE

Electrical Safety	Certificate NSW20945					
EMC						
Energy Efficiency (MEPS Mark)	5.0V	6.0V	7.5V	9V	12V	
						

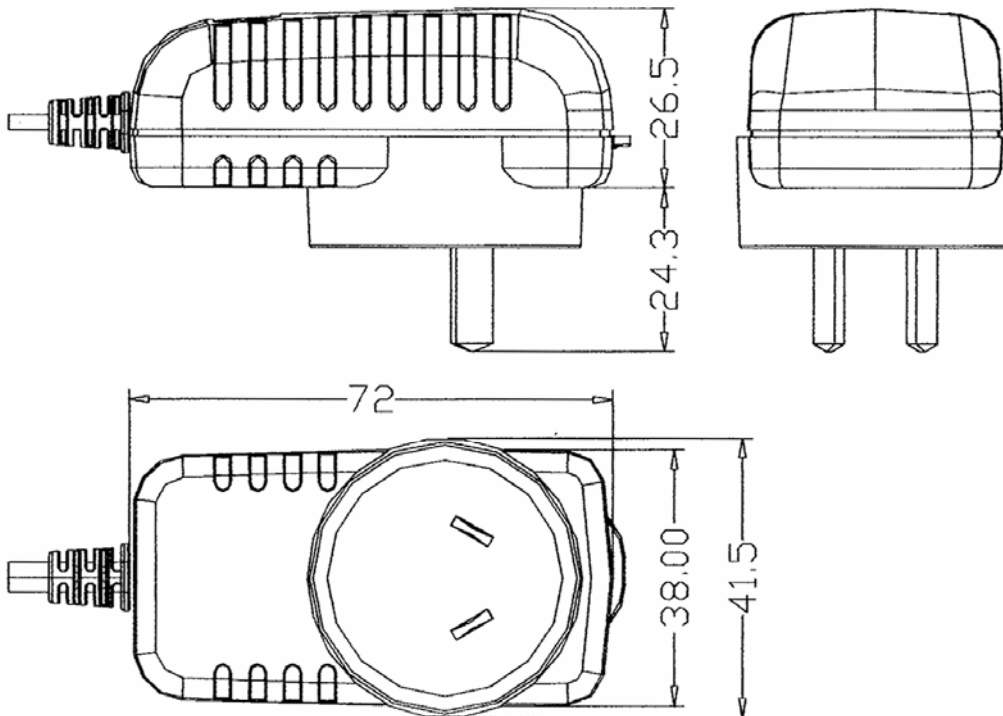
10G Series Plug-in Switch Mode Power Supply Unit

RATING PLATE (Typical)



- Note: 1. Material: Polyester+PET; Coating: 0.25 +/- 0.05mm
2. White characters; Black background
3. Lead free

PRODUCT OUTLINE DRAWING

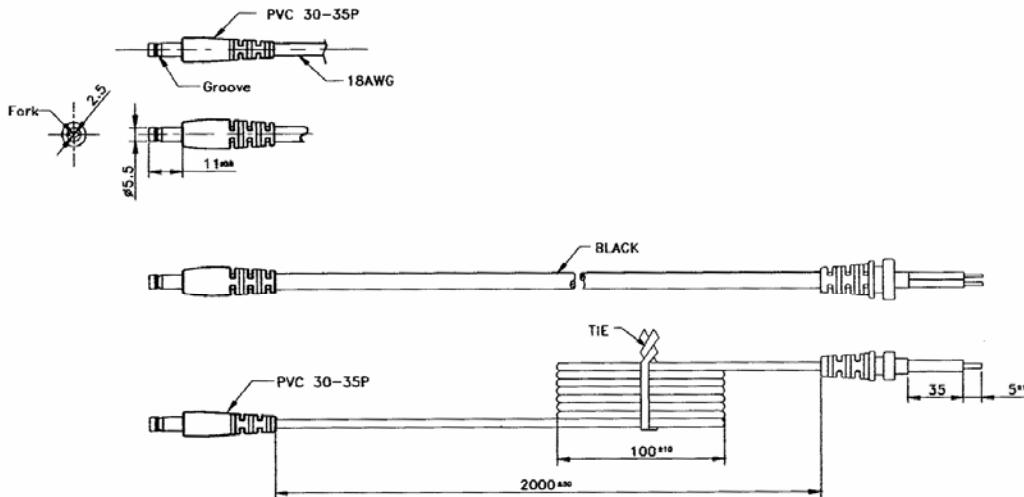


- Note: 1. Case & chassis material: PPHOX (UL94V-1) Black
2. AC Pin material: Brass (NI plated)
3. Lead free

10G Series Plug-in Switch Mode Power Supply Unit

DC OUTPUT CORD DRAWING

(T0520-21G, T0620-21G, T0911-21G, T1210-21G, T1210-25G, T1866-21G)

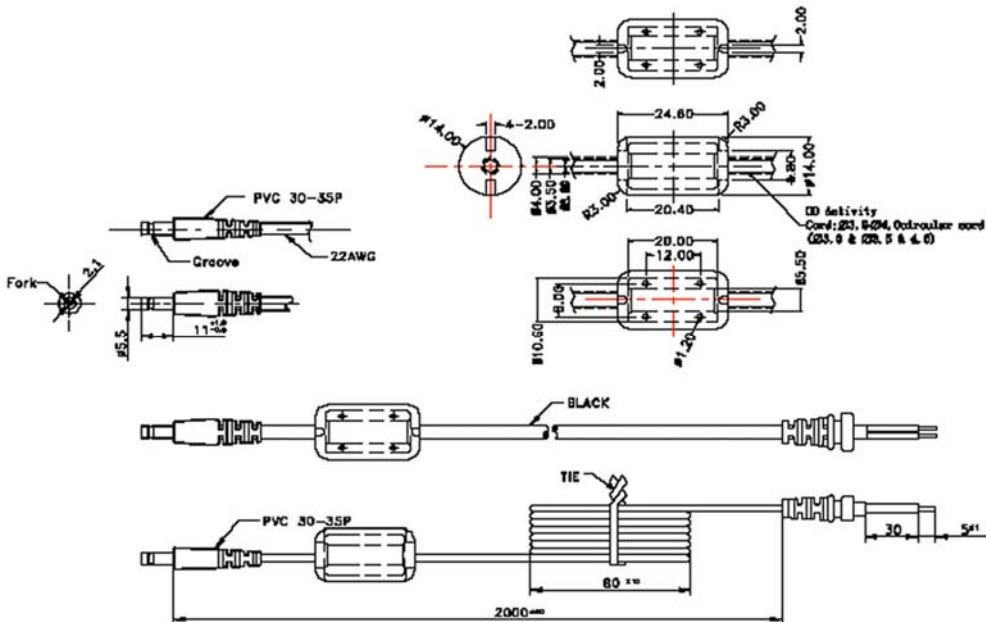


NOTE: (unit:mm)
 1). WIRE TYPE: VW-1SC 1185 80°C Ø3.5 300V L=2000mm 2C 18AWG BLACK
 2). WIRE JACKET MATERIAL: PVC (94V-0)

Note: Output plug for T1210-25G is 11 x 5.5 x 2.5mm

DC OUTPUT CORD DRAWING

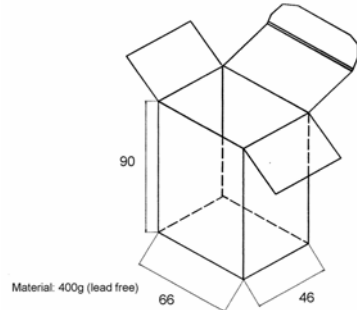
(T0713-21G)



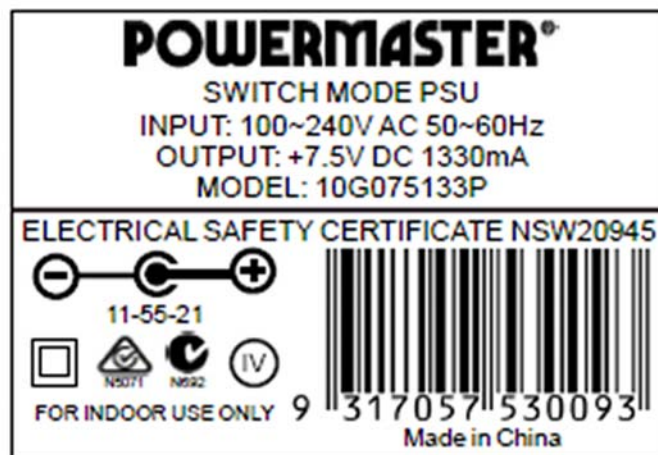
NOTE: (unit:mm)
 1). WIRE TYPE: 2454 80°C Ø3.5 300V L=2000mm 2C 22AWG BLACK
 2). THE POLARITY: ⊖ ⊕

10G Series Plug-in Switch Mode Power Supply Unit

PACKING DRAWING



BOX LABEL (Typical)



MASTER CARTON LABEL (Typical)

