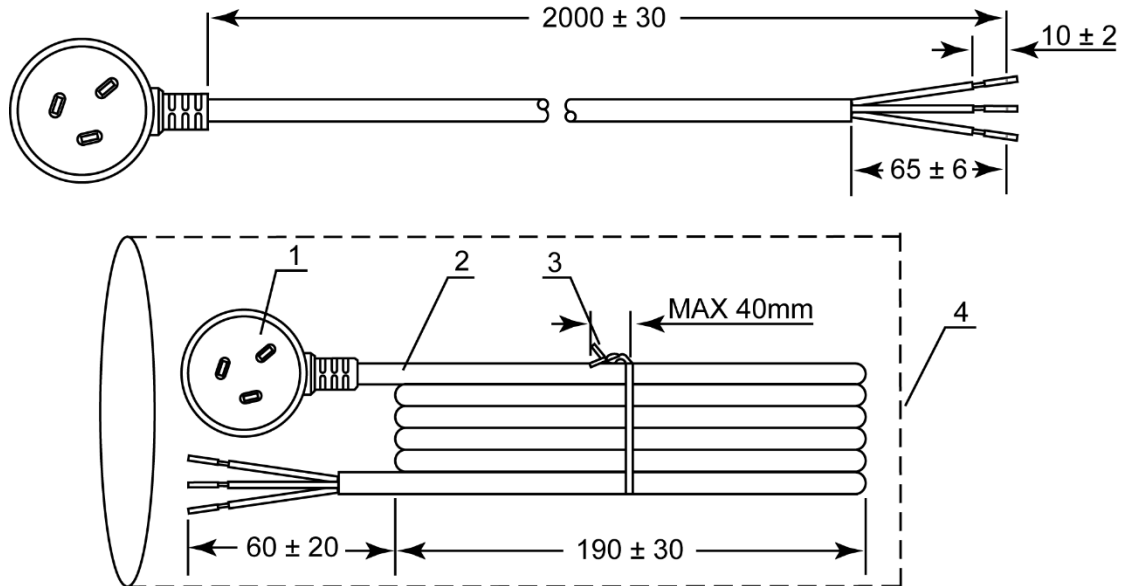


**K3785-002 Right-angle Mains Plug to Stripped**

**1. PRODUCT DRAWING**

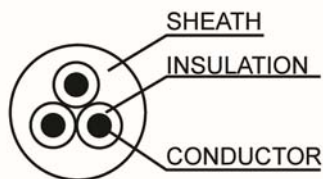


1. PVC moulded plug (Black)
2. Flexible cord GD-3 3G0.1.00mm<sup>2</sup> (Black)
3. Vinyl tie (Black)
  - a. Tied twice with PVC vinyl tie
  - b. Vinyl tie loose end section must not exceed 40mm
4. PE bag 300mm x 130mm (0.05mm thick)

NOTE: All materials are RoHS compliant.

**2. CORD SECTION**

CORD SECTION:



CORD MARKING:

POWERMASTER® GD-3 3X1.00mm<sup>2</sup> 4V-75 V-75 75°C ORDINARY DUTY  
 250 / 440V NSW18155 AS / NZS3191  
 Cn  
 ROLL NO: 1,2,3...  
 CHINA FACTORY