

Cat6 IDC Data Jack

P4666 Series



FEATURES

- Our premium RJ45 Cat-6 IDC data jack. Compatible with our P4600 series flush plates and most standard Australian flush plates.
- Also suits our P4611 Surface Boxes.
- Rear termination with 110 or Krone IDC impact tool.
- Combined T568A & T568B colour coding for easy installation.
- Available in individual Datamaster® zip-top bags or buckets of 50 pieces which include a bonus impact safety chassis for safe and speedy termination.

PRODUCT RANGE

SKU	COLOUR	TYPE	COMPATIBILITY	PACK
P4666-050	White	IDC Data Jack	Cat6	50 per Bucket
P4666BLK	Black	IDC Data Jack	Cat6	50 per Bucket
P4666RED	Red	IDC Data Jack	Cat6	50 per Bucket
P4666GRN	Green	IDC Data Jack	Cat6	50 per Bucket
P4666YEL	Yellow	IDC Data Jack	Cat6	50 per Bucket
P4666BLU	Blue	IDC Data Jack	Cat6	50 per Bucket



To view Access' extensive ranges go to: www.accesscomms.com.au

Sydney (Head Office)
Brisbane Office
Melbourne Office
Adelaide Office

33-35 Alleyne Street, Chatswood, NSW, 2067
28 The Gateway, Broadmeadows, VIC, 3047
71 Anzac Highway, Ashford, SA, 5035

Phone: (02) 9414 8888
Phone: (07) 3308 5555
Phone: (03) 9330 8333
Phone: (08) 8338 5540

Fax: (02) 9414 8800
Fax: (07) 3308 5500
Fax: (03) 9330 8330

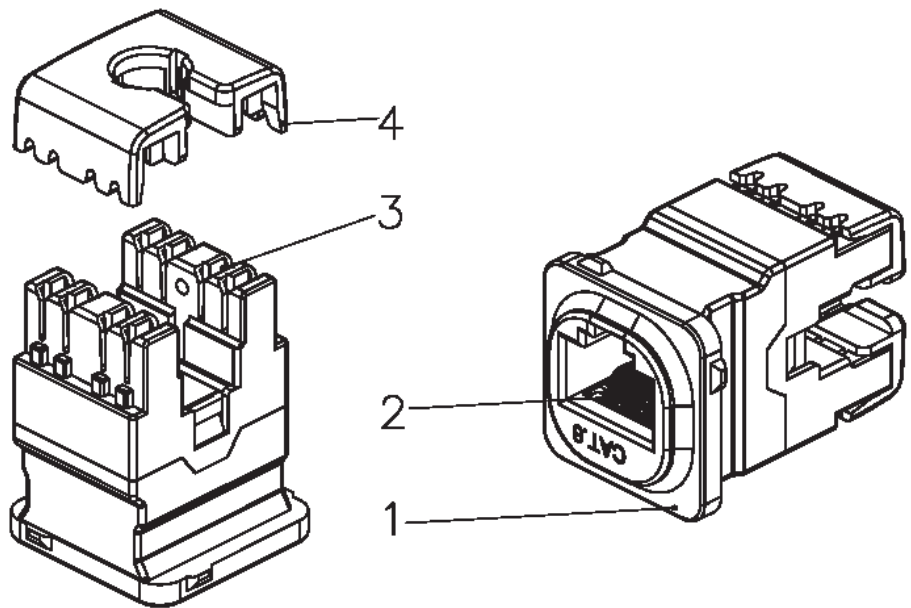
websales@accesscomms.com.au
brisbane@accesscomms.com.au
melbourne@accesscomms.com.au
adelaide@accesscomms.com.au

Cat6 IDC Data Jack

P4666 Series



MATERIAL SPECIFICATIONS



1.	RJ45 Jack	1 - 1 Housing : ABS, UL 94 V - 0, with optional colour painted 1 - 2 Contact Bracket : PC, UL 94 V - 2, Transparent Colour
2.	RJ45 Jack Contact	2 - 1 Material : Phosphor Bronze with Nickel Plated 2 - 2 Finish : 50 micro-inch Gold Plated on Plug Contact Area
3.	IDC Housing	3 - 1 Housing : PC + Glass Fiber, UL 94 V - 2 3 - 2 Terminal : Phosphor Bronze with min tin plated
4.	IDC CAP	ABS, UL 94 V - 0
5.	PCB	FR4, UL 94 V - 0

To view Access' extensive ranges go to: www.accesscomms.com.au

Sydney (Head Office)
Brisbane Office
Melbourne Office
Adelaide Office

33-35 Alleyne Street, Chatswood, NSW, 2067
28 The Gateway, Broadmeadows, VIC, 3047
71 Anzac Highway, Ashford, SA, 5035

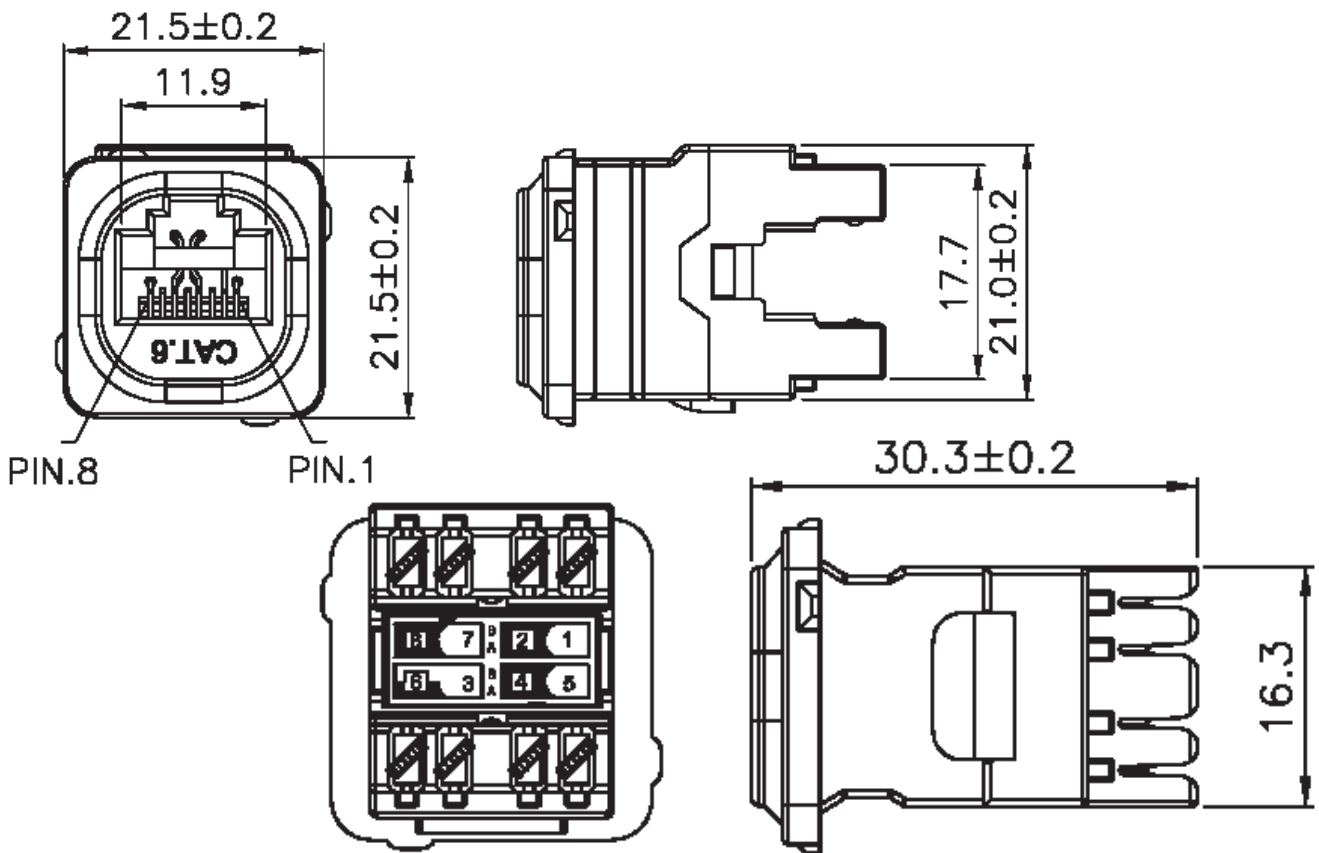
Phone: (02) 9414 8888
Phone: (07) 3308 5555
Phone: (03) 9330 8333
Phone: (08) 8338 5540

Fax: (02) 9414 8800
Fax: (07) 3308 5500
Fax: (03) 9330 8330

websales@accesscomms.com.au
brisbane@accesscomms.com.au
melbourne@accesscomms.com.au
adelaide@accesscomms.com.au

Cat6 IDC Data Jack

P4666 Series



PERFORMANCE SPECIFICATIONS

Wiring	T568A & T568B
Insertion Force	20N max. (IEC 60603 - 7 - 4)
Retention Strength	7.7kg Between Jack & Plug
Operating Temperature	-10°C to 60°C (ISO/ICE 11801, ANSI/TIA 568 C.2)
Life (mating cycles)	Jack : 750 cycles min. (ISO/IEC 11801, IEC 60603-7-4) IDC : Suitable for 22-26 AWG solid wire, compatible with both 110 and Krone punch down tools.
Durability	The Cat6 transmission performance is in compliance with the ANSI/TIA/EIA 568 C.2 standard

To view Access' extensive ranges go to: www.accesscomms.com.au

Sydney (Head Office) 33-35 Alleyne Street, Chatswood, NSW, 2067
Brisbane Office
Melbourne Office 28 The Gateway, Broadmeadows, VIC, 3047
Adelaide Office 71 Anzac Highway, Ashford, SA, 5035

Phone: (02) 9414 8888
 Phone: (07) 3308 5555
 Phone: (03) 9330 8333
 Phone: (08) 8338 5540

Fax: (02) 9414 8800
 Fax: (07) 3308 5500
 Fax: (03) 9330 8330

websales@accesscomms.com.au
brisbane@accesscomms.com.au
melbourne@accesscomms.com.au
adelaide@accesscomms.com.au