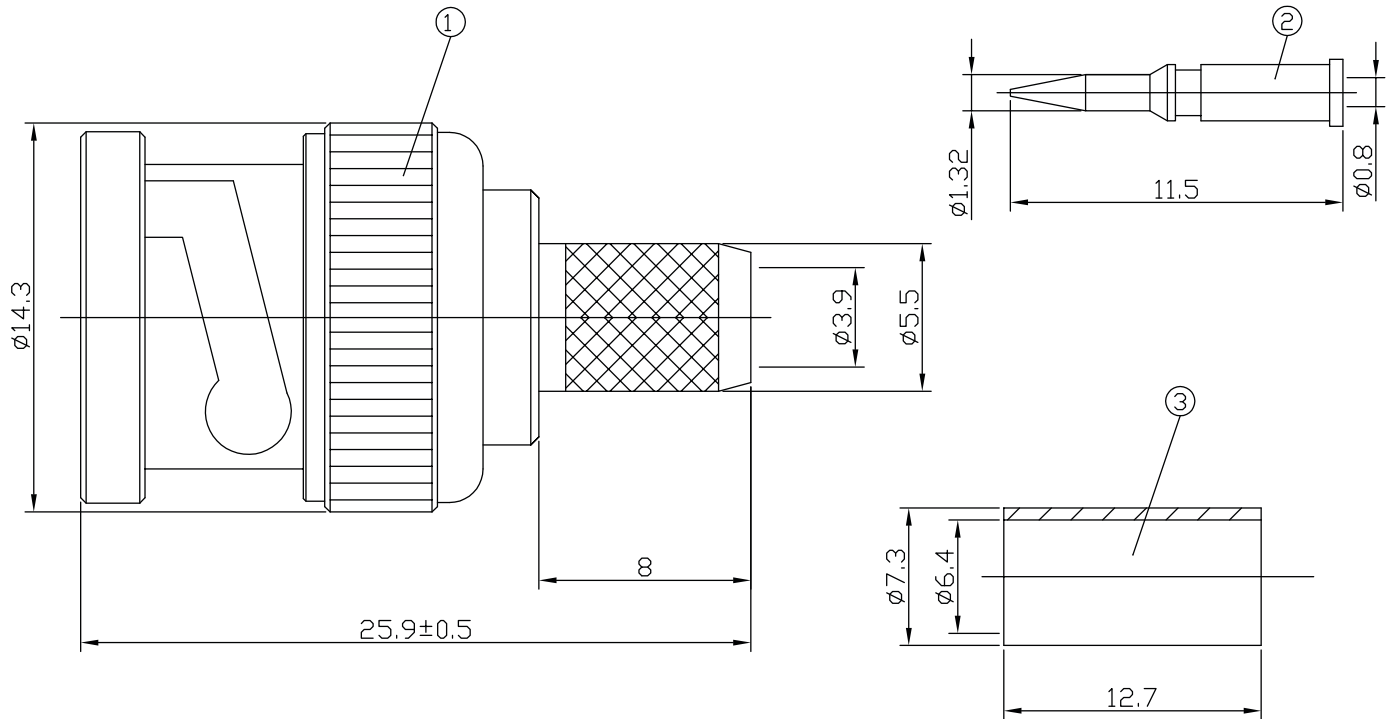


Product Code: **P0702**
BNC-M to BNC-MALE



NO	DESCRIPTION	MATERIAL	FINISH	QTY
3	SLEEVE	ZINC	NICKEL	1
2	CENTER CONTACT	BRASS	GOLD	1
1	BODY	ZINC	NICKEL	1
	WASHER	STEEL	NICKEL	1
	SPRING	STEEL	NONE	1
	OUT CONTACT	ZINC	NICKEL	1
	RUBBER WASHER	PLASTIC	NONE	1
	INSULATOR	PLASTIC	NONE	1

Dimensions are in millimeters (Unless otherwise specified)	
TOLERANCES	
SCALE	ISSUE
0.5 - 5	= + 0.2
5 - 30	= + 0.4
30 - 120	= + 0.6
120 - 315	= + 1
315 - 1000	= + 1.6
1000 - 2000	= + 2.4