

IEC-C13/Mains 0.5m Black

K37** Series



FEATURES

As used on most computers and office equipment. Fitted with IEC-C13 connector and Australian 3-pin mains plug with insulated pins compliant with AS/NZS3112.

Electrical Safety Authority Approved.

CAT#	COLOUR	LENGTH
K3746	Black	0.5m
K3748	Black	1.0m
K3756BLK	Black	1.5m
K3749	Ash	2.0m
K3750	Black	2.0m
K3753	Dark Grey	2.0m
K3750WHI	White	2.0m
K3752	Dark Grey	2.5m
K3758ASH	Ash	3.0m
K3758	Black	3.0m
K3757	Black	5.0m
K3750-010	Black	10.0m
K3750-020	Black	20.0m



To view Access' extensive ranges go to: www.accesscomms.com.au

Sydney (Head Office)
Brisbane Office
Melbourne Office
Adelaide Office

Unit 1, 29 Prince William Drive, Seven Hills, NSW, 2147

28 The Gateway, Broadmeadows, VIC, 3047
71 Anzac Highway, Ashford, SA, 5035

Phone: (02) 9414 8888

Phone: (03) 9330 8333
Phone: (08) 8338 5540

Fax: (02) 9414 8800

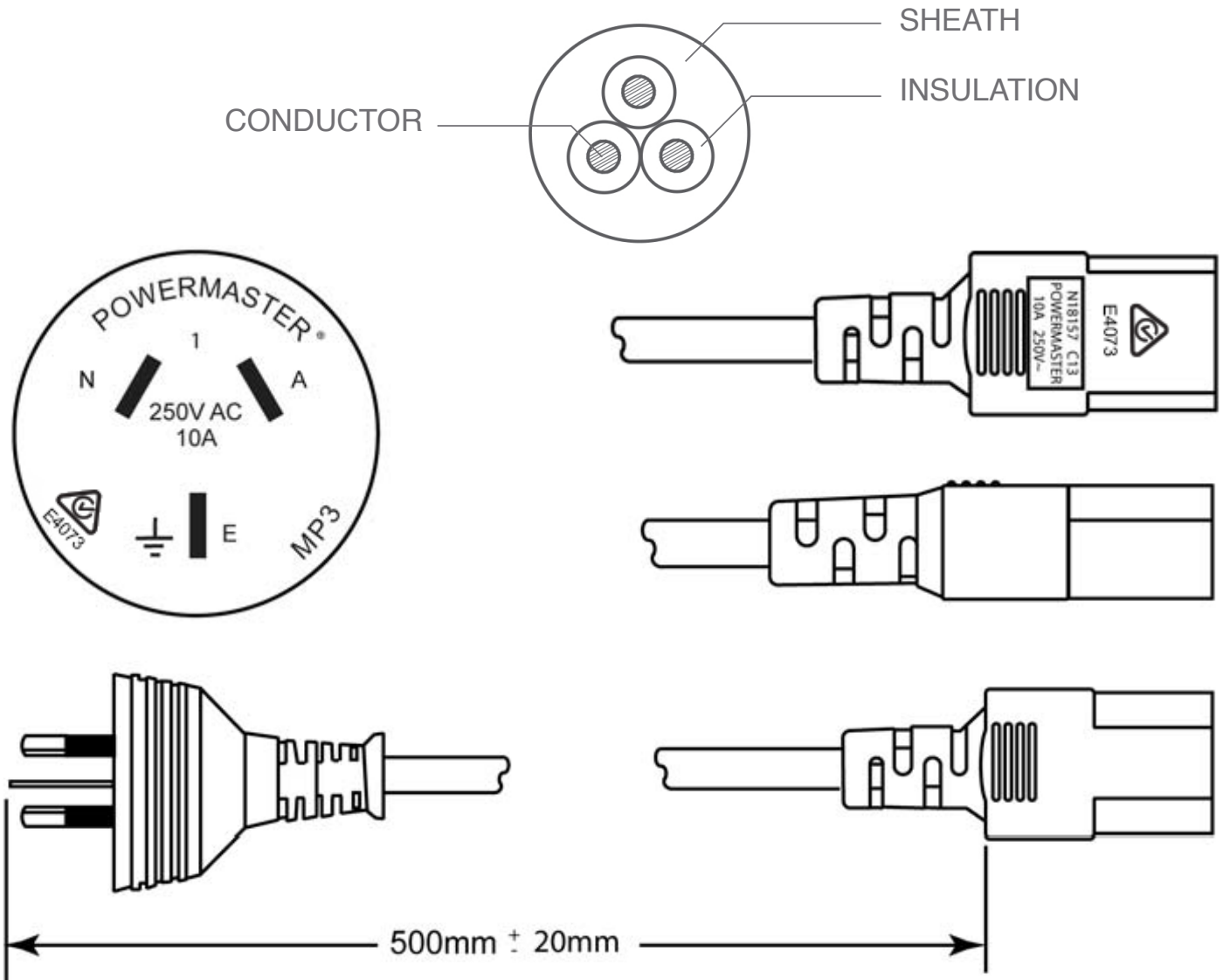
Fax: (03) 9330 8330

sales@accesscomms.com.au
brisbane@accesscomms.com.au
melbourne@accesscomms.com.au
adelaide@accesscomms.com.au

IEC-C13/Mains 0.5m Black

K37** Series

DESIGN & CONSTRUCTION



MAINS PLUG 3 PIN

Standard	AS/NZS 3112:2004
Type	3-Pin Australian Mains Plug
Color	Black

IEC-C13 CONNECTOR

Standard	AS/NZS60320.2.2.2004
Color	Black

FLEX JACKET

Type	GD-3
Standard	AS/NZS3191.2003
Rating	Powermaster® GD-3 3x0.75mm ² 75°C
Material	PVC (Black)
Diameter	6.60mm

FLEX CONDUCTORS

Conductors	For Lengths shorter than 2M 3 x 0.75mm ² For Lengths longer than 2M 3 x 1.00mm ²
Sheath	PVC Brown (L), Blue (N), Yellow/Green (E)

To view Access' extensive ranges go to: www.accesscomms.com.au