

## 3-Pin Power Cord Stripped

K3782, K3782-010, K3782-003

K3782-020, K3782GRY



### FEATURES

A 2-core or 3-core flex fitted with standard Australian mains plug with insulated pins compliant with AS/NZS3112.

Custom lengths, colours, stripping and tinning or terminals are available.

Suitable for any hard-wired electrical appliances or light fittings.

Electrical Safety Authority Approved.

CAT#	COLOUR	LENGTH	CONDUCTOR SIZE
K3782	BLACK	2.0 Metre	0.75mm <sup>2</sup>
K3782-003	GREY	3.0 Metre	1.00mm <sup>2</sup>
K3782GRY	GREY	2.0 Metre	0.75mm <sup>2</sup>
K3782-010	GREY	2.0 Metre	1.00mm <sup>2</sup>
K3782-020	BLACK	2.0 Metre	1.00mm <sup>2</sup>

### CORD MARKING

POWERMMASTER® GD-3 3X0.75mm<sup>2</sup> 4V-75 V-75 75°C ORDINARY

DUTY 250/440V E4073 AS/NZS3191

Cn  
 └─ ROLL NO: 1,2,3...  
 └─ CHINA FACTORY

### PLUG MARKING



To view Access' extensive ranges go to: [www.accesscomms.com.au](http://www.accesscomms.com.au)

**Sydney (Head Office)**  
**Brisbane Office**  
**Melbourne Office**  
**Adelaide Office**

Unit 1, 29 Prince William Drive, Seven Hills NSW, 2147  
 28 The Gateway, Broadmeadows, VIC, 3047  
 71 Anzac Highway, Ashford, SA, 5035

Phone: (02) 9414 8888  
 Phone: (07) 3308 5555  
 Phone: (03) 9330 8333  
 Phone: (08) 8338 5540

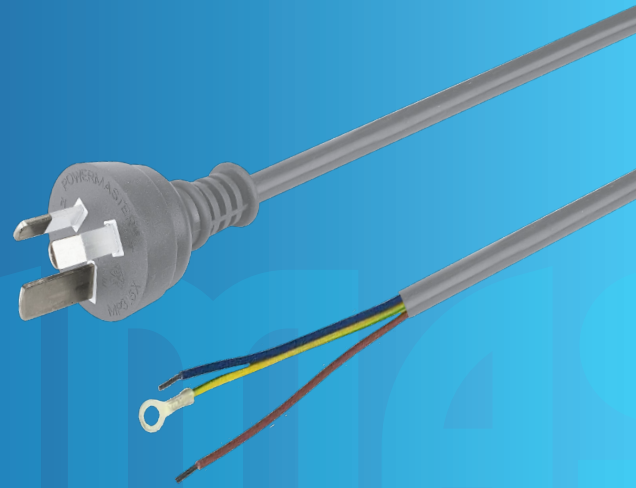
Fax: (02) 9414 8800  
 Fax: (07) 3308 5500  
 Fax: (03) 9330 8330

[websales@accesscomms.com.au](mailto:websales@accesscomms.com.au)  
[brisbane@accesscomms.com.au](mailto:brisbane@accesscomms.com.au)  
[melbourne@accesscomms.com.au](mailto:melbourne@accesscomms.com.au)  
[adelaide@accesscomms.com.au](mailto:adelaide@accesscomms.com.au)

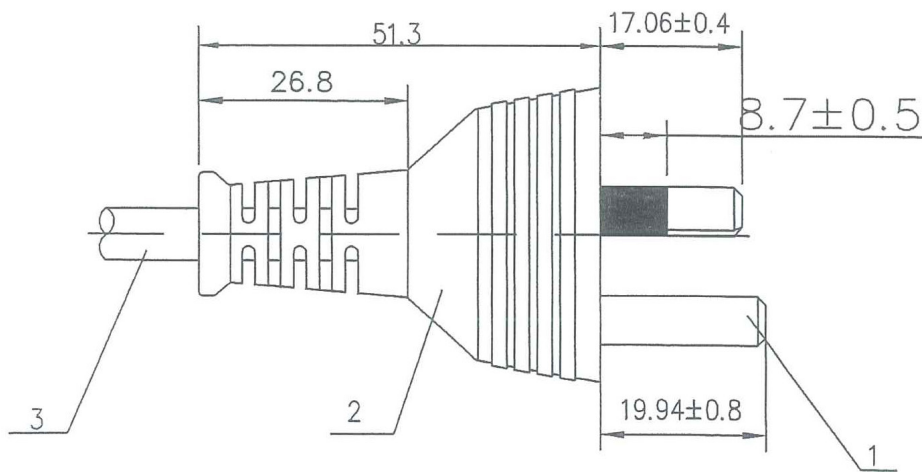
## 3-Pin Power Cord Stripped

K3782, K3782-010, K3782-003

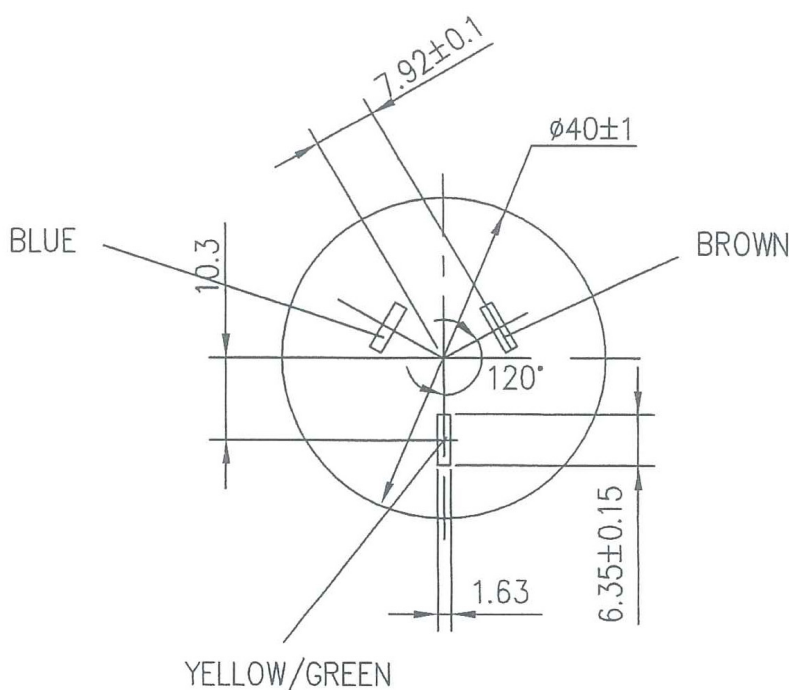
K3782-020, K3782GRY



### PLUG FEATURES



1. PIN (NICKEL PLATING)
2. PVC MOLDED PLUG
3. FLEXIBLE CORD



### TOLERANCE FEATURES

> 20	± 2.0
≤ 20	± 1.0
≤ 10	± 0.5
≤ 1.0	± 0.3

To view Access' extensive ranges go to: [www.accesscomms.com.au](http://www.accesscomms.com.au)

**Sydney (Head Office)**  
**Brisbane Office**  
**Melbourne Office**  
**Adelaide Office**

Unit 1, 29 Prince William Drive, Seven Hills NSW, 2147  
28 The Gateway, Broadmeadows, VIC, 3047  
71 Anzac Highway, Ashford, SA, 5035

Phone: (02) 9414 8888  
Phone: (07) 3308 5555  
Phone: (03) 9330 8333  
Phone: (08) 8338 5540

Fax: (02) 9414 8800  
Fax: (07) 3308 5500  
Fax: (03) 9330 8330

[websales@accesscomms.com.au](mailto:websales@accesscomms.com.au)  
[brisbane@accesscomms.com.au](mailto:brisbane@accesscomms.com.au)  
[melbourne@accesscomms.com.au](mailto:melbourne@accesscomms.com.au)  
[adelaide@accesscomms.com.au](mailto:adelaide@accesscomms.com.au)

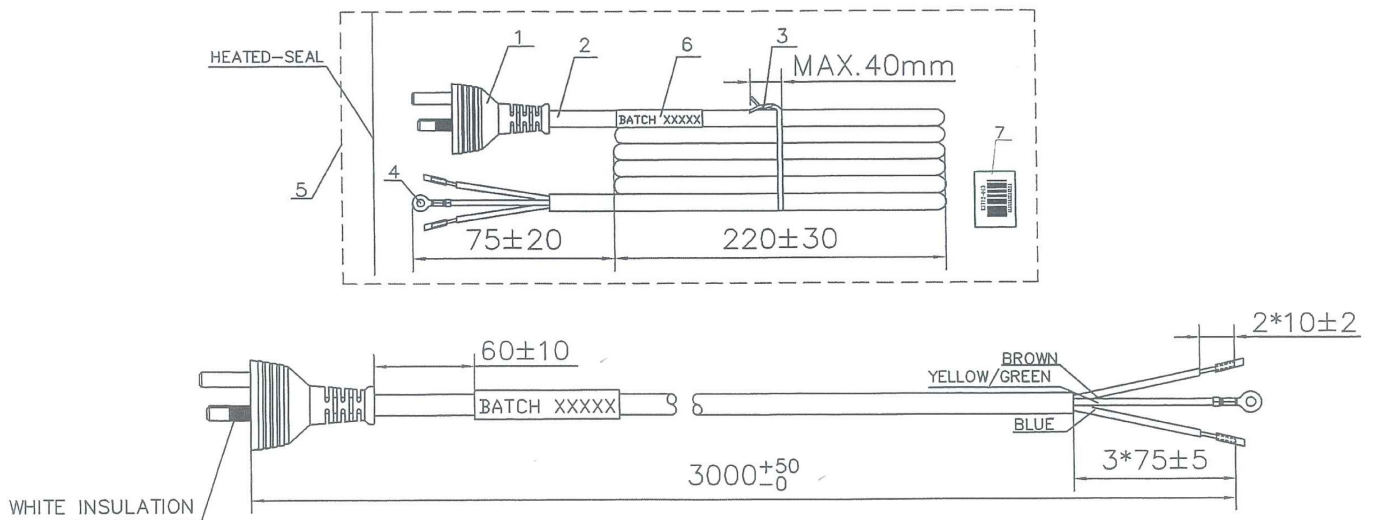
## 3-Pin Power Cord Stripped

K3782, K3782-010, K3782-003

K3782-020, K3782GRY

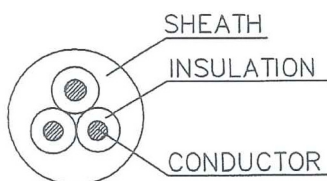


### CORD FEATURES



PVC MOLDED PLUG	PHP - 304 ( GREY, YJ420 ) * POWERMASTER * MP3
FLEXIBLE CORD	GD - 3 3 x 1.00mm <sup>2</sup> or 3 x 0.75mm <sup>2</sup>
VINYLE TIE ( WHITE )	a. TIED TWICE WITH PVC VINYL - TIE b. VINYL - TIE LOOSE END SECTION MUST NOT EXCEED 40mm
TERMINAL	STS 610 - BS - 2 OR JH J610 - BS - 2
PE SACK	350 x 130 x T0.05
1 # LABEL	40 * 25mm
2 # LABEL	L2 x 20 ( SUPPLIED BY CUSTOMER )
NOTE : ALL MATERIALS ARE RoHS 2.0 COMPLIANCE	

### CORD SECTION



To view Access' extensive ranges go to: [www.accesscomms.com.au](http://www.accesscomms.com.au)