

# DATAMASTER® Mode-3 Security Sockets



## 611 Mode-3 Socket

Mode-3 socket suitable for security devices, alarm diallers, modems and other auxiliary equipment. Accepts 604, 605 or 606 telephone plugs. Cams allow each terminal pair to be switched or unswitched when plug is withdrawn.

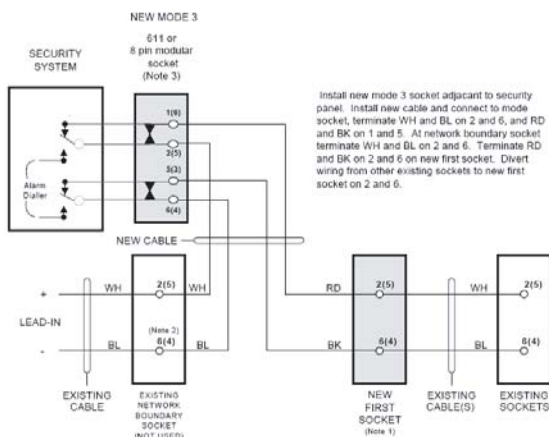
Cat#	Color
P6116	Ivory



## Modular Mode-3 Socket

Mode-3 RJ45 8P4C IDC jack with 2 IDC connections per contact allowing easy line-in and line-out for typical alarm dialler applications. Compatible with our P4600 series Flush Plates and most standard Australian flush plates. Rear termination with 110 or Krone compatible impact tool. Supplied in reusable buckets of 50 pieces which include a bonus impact safety chassis for safe and speedy installation.

Cat#	Color
P4663BLU	Blue



Note 1: If possible place new first socket in front of network boundary socket to prevent customer using the network boundary socket.

Note 2: Modular socket contact numbers shown in brackets, for example (4).

Note 3: If security system is unslugged, contacts in the new mode 3 socket must close. (for 611 socket, the cams need to be adjusted to allow the contacts to close).

### Sydney

Tel: (02) 9414 8888

Fax: (02) 9414 8800

### Melbourne

Tel: (03) 9330 8333

Fax: (03) 9330 8330

### Brisbane

Tel: (07) 3308 5555

Fax: (07) 3308 5500

**ACCESS**  
COMMUNICATIONS PTY LTD  
www.accesscomms.com.au