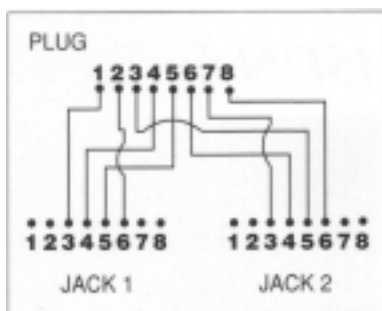


Category 5 Splitters



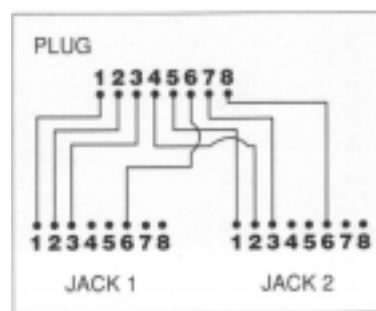
These white colored splitters enable two different devices to share the same cable and outlet. The narrow width and vertically mounted sockets are ideal for patch panels, allowing easy access to neighbouring patch-panel sockets. Four different wiring configurations are available. The wiring configuration-diagram is printed on the side of each splitter. The four different configurations are explained in detail below.

Catalog # P2332



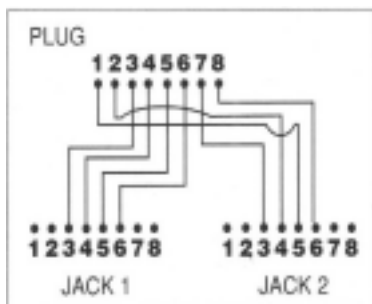
Splits a 4-pair 568B jack; pairs 1 & 2 to jack 1 and pairs 3 & 4 to jack 2. Typical application would be voice at both jacks.

Catalog # P2334



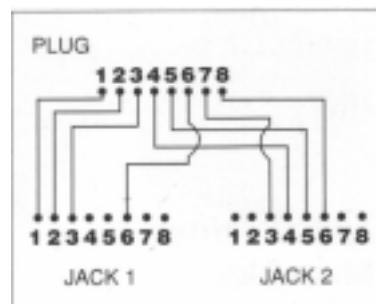
Splits a 4-pair 568A / 568B jack; pairs 2 & 3 to jack 1 and pairs 1 & 4 to jack 2. Typical application would be data (10Base-T) at both jacks.

Catalog # P2335



Splits a 4-pair 568A jack; pairs 1 & 2 to jack 1 and pairs 3 & 4 to jack 2. Typical application would be voice at both jacks.

Catalog # P2336



Splits a 4-pair 568A / 568B jack; pairs 2 & 3 to jack 1 and pairs 1 & 4 to jack 2. Typical application would be data (10Base-T) at jack 1 and voice at jack 2.